

**KESLA 2017Z, 2017ZT****Sisällysluettelo \ Innehållsförteckning \ Contents \ Inhaltsverzeichnis**

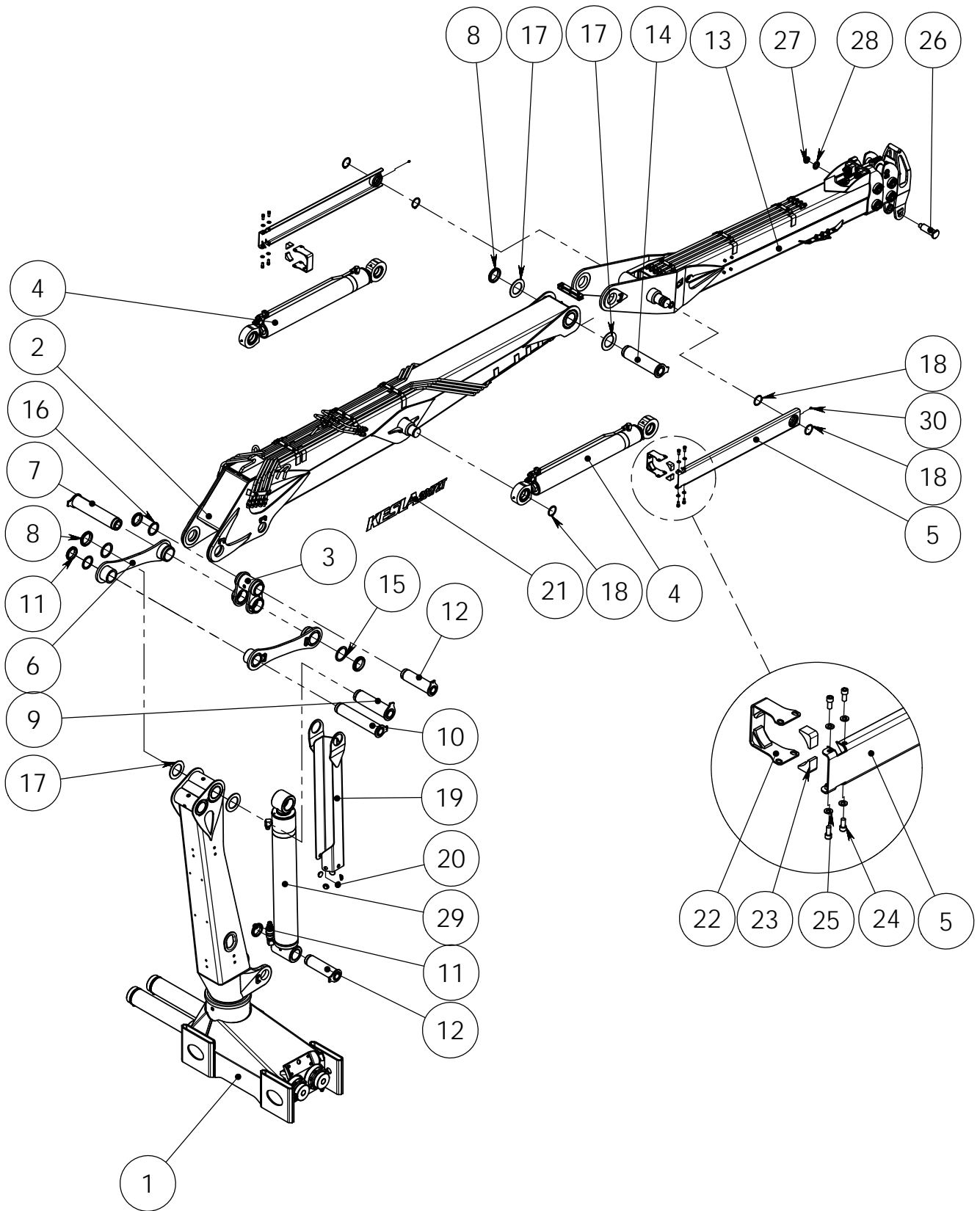
Pääkokoona <i>pano</i> \ <i>Sammansättning</i> \ <i>Final assembly</i> \ <i>Zusammensetzung</i> .....	1
Käntölaite \ <i>Vridanordning</i> \ <i>Slew mechanism</i> \ <i>Schwenkwerk</i> .....	3
Nostopuomi \ <i>Lyftbom</i> \ <i>Main lifting boom</i> \ <i>Hubarm</i> .....	6
Siirtopuomisto KESLA 2017Z \ <i>Vipparm KESALA 2017Z</i> \ <i>Outer boom KESLA 2017Z</i> \ <i>Knickarm KESLA 2017Z</i> .....	10
Siirtopuomisto KESLA 2017ZT \ <i>Vipparm KESLA 2017ZT</i> \ <i>Outer boom KESLA 2017ZT</i> \ <i>Knickarm KESLA 2017ZT</i> .....	16
Tukijalkavarustus \ <i>Stödbensutrustning</i> \ <i>Stabilizers</i> \ <i>Stützfußausrüstung</i> .....	19
Vetotanko varusteltuna \ <i>Dragstång</i> \ <i>Inner link assy</i> \ <i>Mittleres Gelenk</i> .....	21
Siirtopuomiston ketju \ <i>Kedja</i> \ <i>Chain</i> \ <i>Kette kompl. \ .3x4 (77)</i> .....	23
Siirtopuomiston ketju \ <i>Kedja</i> \ <i>Chain</i> \ <i>Kette kompl. \ 3x4 (87)</i> .....	25
Nostosylinteri varusteltuna \ <i>Lyftcylinder utrustning</i> \ <i>Accessories for main lifting cylinder</i> \ <i>Ausrüstung für Hubzylinder</i> .....	27
Nostosylinteri \ <i>Lyftcylinder</i> \ <i>Main lifting cylinder</i> \ <i>Hubzylinder</i> .....	29
Siirtosylinteri varusteltuna \ <i>Vippcylinder utrustning</i> \ <i>Accessories for outer boom cylinder</i> \ <i>Ausrüstung für Knickarmzylinder</i> .....	31
Siirtosylinteri \ <i>Vippcylinder</i> \ <i>Outer boom cylinder</i> \ <i>Knickarmzylinder</i> .....	33
Jatkeen sylinteri varusteltuna \ <i>Utskjutscylinder utrustning</i> \ <i>Extension cylinder Accessories for</i> \ <i>Ausschubzylinder Ausrüstung für</i> \ <i>K2017Z</i> .....	34
Jatkeen sylinteri \ <i>Utskjutscylinder</i> \ <i>Extension cylinder</i> \ <i>Ausschubzylinder</i> \ <i>K2017Z</i> .....	37
Jatkeen sylinteri \ <i>Utskjutscylinder</i> \ <i>Extension cylinder</i> \ <i>Ausschubzylinder</i> \ <i>K2017ZT</i> .....	39
Tukijalkojen levityssylinteri \ <i>Spridningscylinder</i> \ <i>Spreading cylinder</i> \ <i>Ausschubzylinder für</i> <i>Stützfüsse</i> .....	41
Tukijalan sylinteri kok.oikea \ <i>Stödbenscylinder höger</i> \ <i>Stabilizer cylinder right</i> \ <i>Stützfußcylinder rechts</i> .....	43
Tukijalan sylinteri kok.vasen \ <i>Stödbenscylinder vänster</i> \ <i>Stabilizer cylinder left</i> \ <i>Stützfußcylinder links</i> .....	45

**KESLA 2017Z, 2017ZT****Sisällysluettelo\Innehållsförteckning\Contents \Inhaltsverzeichnis**

Tukijalan sylinteri \ Stödbenscylinder \ Stabilizer cylinder \ Stützfußcylinder .....	47
Riipuke varusteltuna \ Rotatorlänk \ Rotator link \ Rotatorgelenk .....	49
Painesuodatin \ Tryckfilter \ Pressure filter \ Druckfilter .....	51
Hallintalaite adapteri \ Styrningsanordning adapter \ Control unit adapter\ Bedienungsanordning adapter .....	53
Suodatinteline \ Tryckfilter ställ \ Pressure filter holder \ Druckfilter gestell .....	55
Hallintalaitteet \ Styrningsanordning \ Control unit \ Bedienungsanordning .....	

90000310

NOSTURI

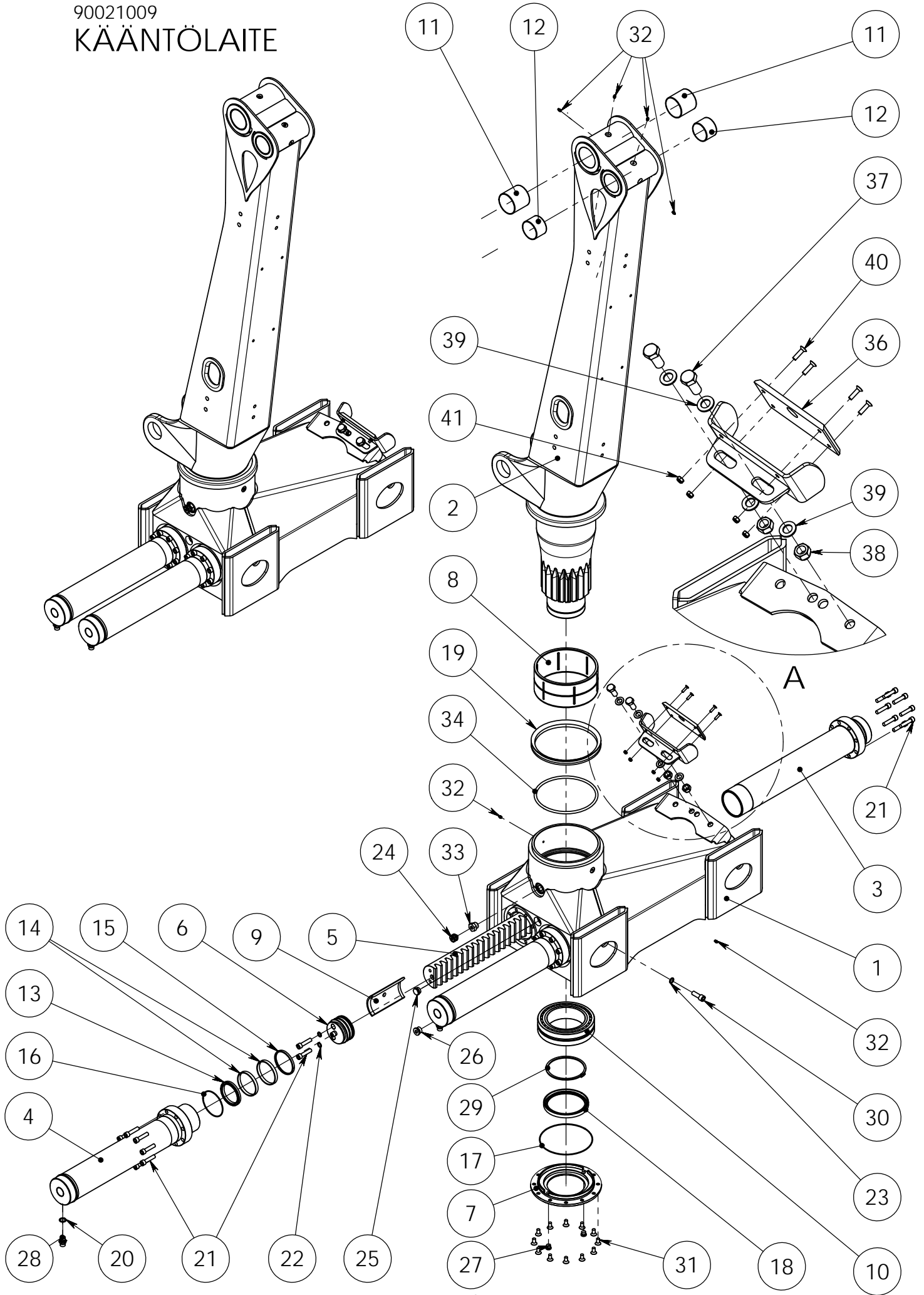


Item code	90000310	Revision	-
Title	CRANE	Date	09.01.2007
Specification	L=9350		

Pos	Item code	Title	Specification	Pc	Nto Weight
1	90021009	SLEW MECHANNISM	31 KNM	1	847.77
2	90021502	LIFT BOOM	L=3590 OPEN TYPE	1	484.26
3	90024300	DRAW BAR	VAR	1	12.55
4	90021298	CYLINDER	110/80X880	2	26.6
5	90021152	COVER	HITS+KON	2	9.74
6	90020976	LINK	KONEISTUS	2	13.01
7	90021059	AXLE	90-437 HITS	1	15.15
8	3020177	NUT	KM17 NYLOC M85X2	3	0.44
9	90020768	AXLE	90/M85X2-337	1	11.72
10	90021057	AXLE	80-435 HITS	1	11.71
11	3020158	NUT	KM15 NYLOC M75X2	3	0.35
12	90020764	AXLE	80/M75X2-300	2	8.07
13	90021176	OUTER BOOM	L=6000	1	903.41
14	90021106	AXLE	90/M85X2 -360	1	12.51
15	90020815	WASHER	112/91-6	2	0.16
16	90013697	WASHER	100/81-6	2	0.13
17	90020813	BEARING	142/90,5-5	4	0.05
18	3060104	SNAP RING	AS 70X4 DIN 471	6	0
19	90021460	COVER	NOSTOSYL.	1	20.6
20	90013832	GLIDE PAD	40-14	5	0.01
21	3281268	DECAL	KESLA 2017ZT	2	0.07
22	90021156	FASTENER	HITS	2	0.98
23	90018959	GLIDE PAD	8/45X30	8	0.04
24	3010239	ALLEN SCREW	M12X25 8.8 ZN DIN 912	8	0
25	3030096	WASHER	M12 ZN DIN 125	8	0.01
26	90013105	AXLE	45-164	1	1.94
27	3020144	NUT	M30X1.5 ZN NYLOC	1	0.1
28	90013106	WASHER	56/31-8	1	0.08
29	90021565	CYLINDER	150 / 90 X 967 VARUSTELU	1	44.86
30	3050003	GREASE NIPPLE	M8X1,25 DIN 71412	2	0

90021009

# KÄÄNTÖLAITE



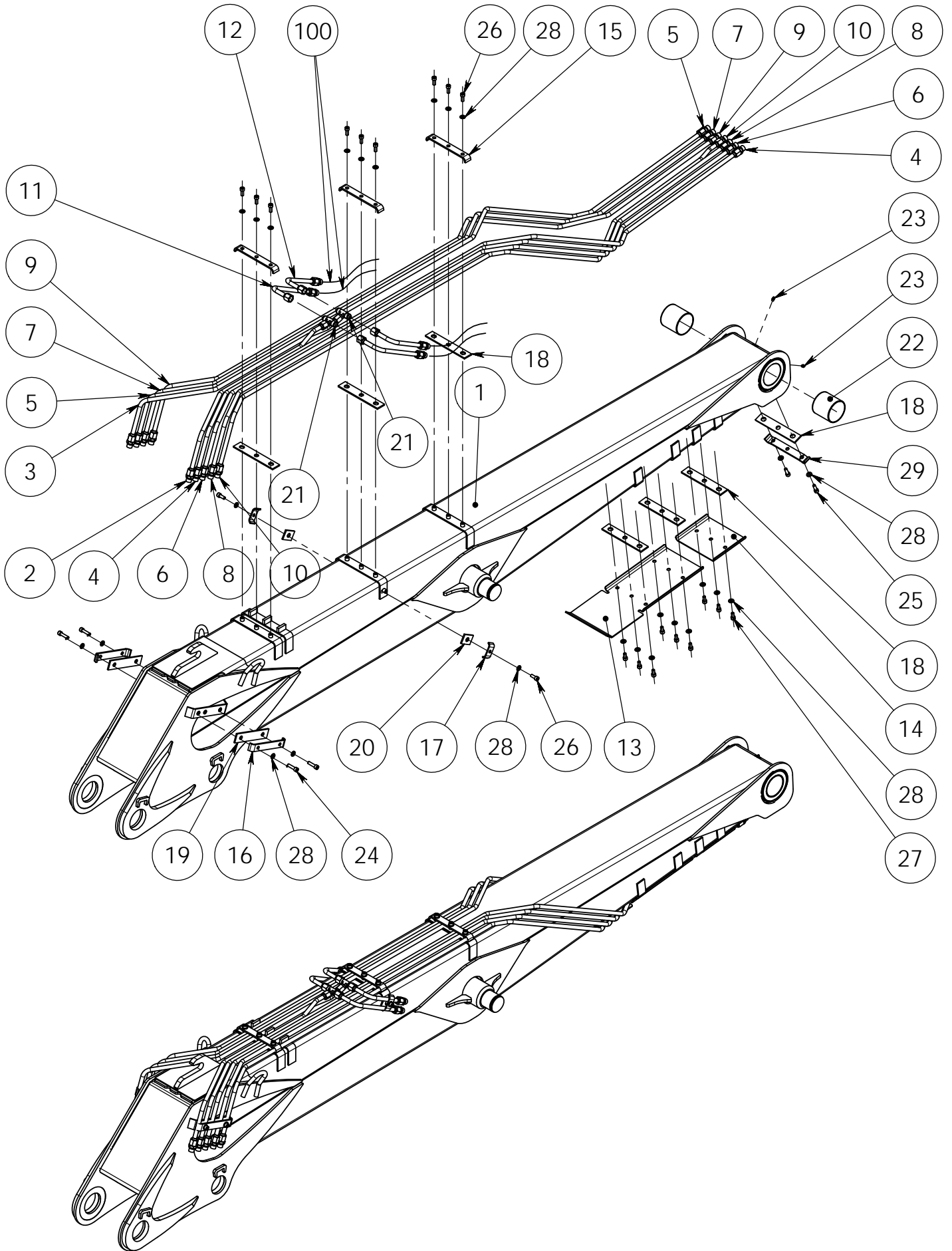
Item code	90021009	Revision	A
Title	SLEW MECHANISM	Date	17.02.2006
Specification	31 KNM		

Pos	Item code	Title	Specification	Pc	Nto Weight
1	90021008	FRAME	KONEISTUS	1	295.36
2	90020935	PILLAR	KONEISTUS	1	353.74
3	90020946	CYLINDER	110-774	2	23.02
4	90020944	CYLINDER	110-774	2	22.26
5	90020941	RACK BAR	105-862	2	33.7
6	90020632	PISTON	D110	4	3.65
7	90020924	FLANGE		1	4.55
8	90014957	BUSHING	270/250-120	1	1.1
9	90020949	BEARING	110-193	2	0.23
10	3100247	ROLLER BEARING	23032 CC/W33	1	9.05
11	3100382	BUSHING	WB 802 9090	2	0.51
12	3100226	BUSHING	WB 802 8060	2	0.3
13	3110194	PISTON SEAL	T18 110/90X12.2	4	0.24
14	3110566	PISTON GUIDE	E/PWR 110/104X13	8	0.1
15	3110567	WIPER SEAL	PPW 110/101.4X5.3	4	0.07
16	3110400	O-RING	114.5X3.0 90 SHORE	4	0.02
17	3110771	O-RING	219.5X3.0 70 SHORE	1	0.04
18	3110878	SHAFT SEAL	160/190X15 AS	1	0.53
19	3110564	SEAL	VA-275	1	1.52
20	3110042	SEAL	R-08 R 1/2"	4	0.01
21	3010601	ALLEN SCREW	M14X60 12.9 DIN 912	40	0
22	3030080	WASHER	M14	8	0
23	3110040	SEAL	R-06 R 3/8"	2	0
24	3091042	BREATHER		1	0.11
25	3090294	OIL LEVEL INDICATOR		1	0.01
26	3090209	PLUG		1	0.08
27	3090210	PLUG		2	0.03
28	3090019	CONNECTOR (STRAIGHT)	04000-08 R1/2"	4	0.1
29	3060050	SNAP RING	160X4 DIN 471	1	0
30	3010273	ALLEN SCREW	M16X45 8.8 DIN 912	2	0
31	3010315	ALLEN SCREW	M12X25 10.9 ZN DIN 7991	12	0
32	3050003	GREASE NIPPLE	M8X1.25 DIN 71412	6	0
33	3090385	CONNECTOR	RSI-3/4"-1/4"	1	0.11
34	3110987	O-RING	260X10 NBR70	1	0.5
35	90021164	SUPPORT	HITS	1	2.95
36	90018948	GLIDE PAD	100 X 220	1	0.23

Item code	90021009	Revision	A
Title	SLEW MECHANNISM	Date	17.02.2006
Specification	31 KNM		

Pos	Item code	Title	Specification	Pc	Nto Weight
37	3010326	HEW SCREW	M20X45 8.8 ZN DIN 933	2	0
38	3020009	NUT	M20 ZN DIN 985	2	0.07
39	3030055	WASHER	M20 ZN DIN 125	4	0.02
40	3010176	ALLEN SCREW	M8X30 10.9 ZN DIN 7991	4	0
41	3020001	NUT	M8 ZN DIN 985	4	0.01

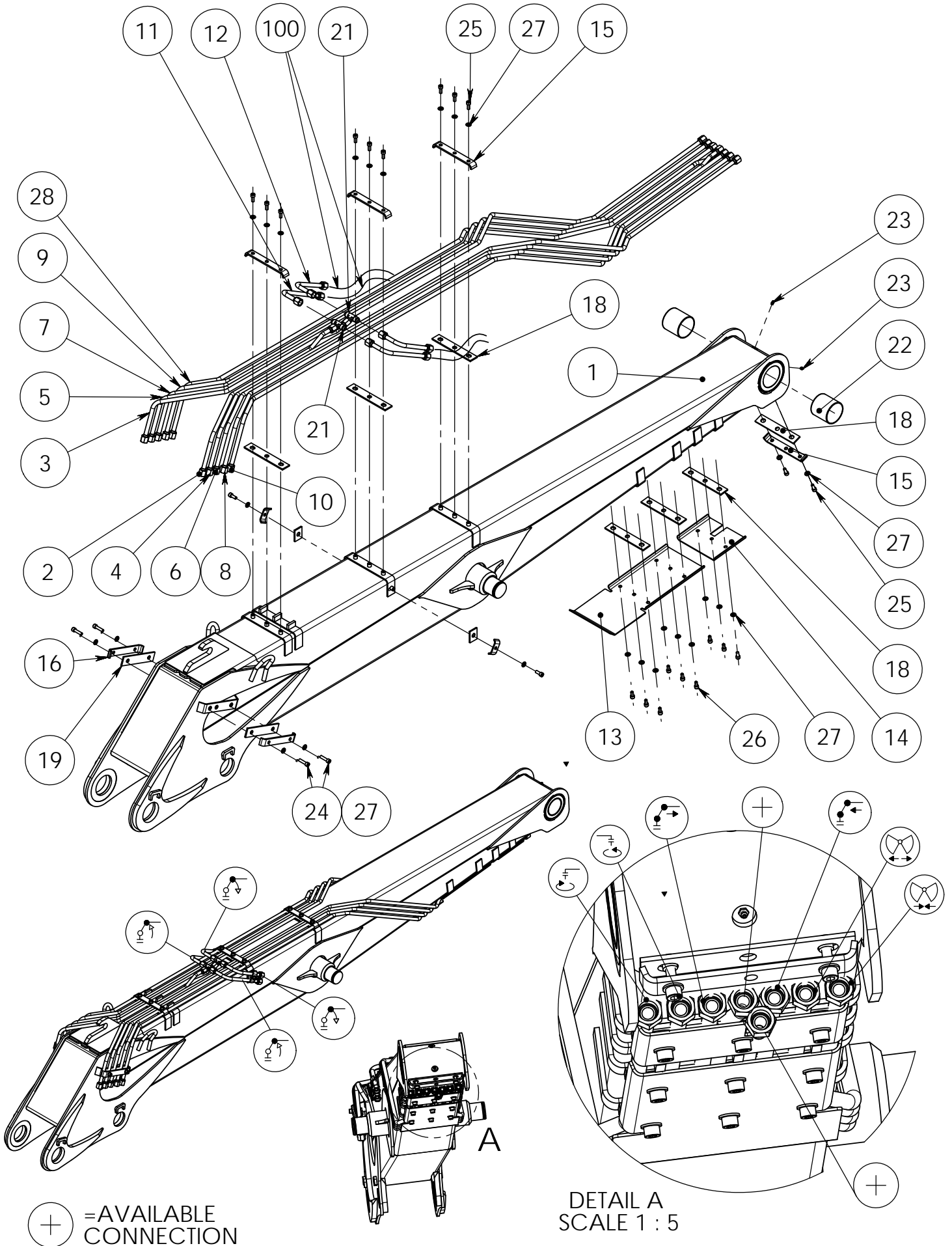
90021502  
L=3590 OPEN TYPE





Item code	90021502	Revision	-
Title	LIFT BOOM	Date	24.11.2006
Specification	L=3590 OPEN TYPE		

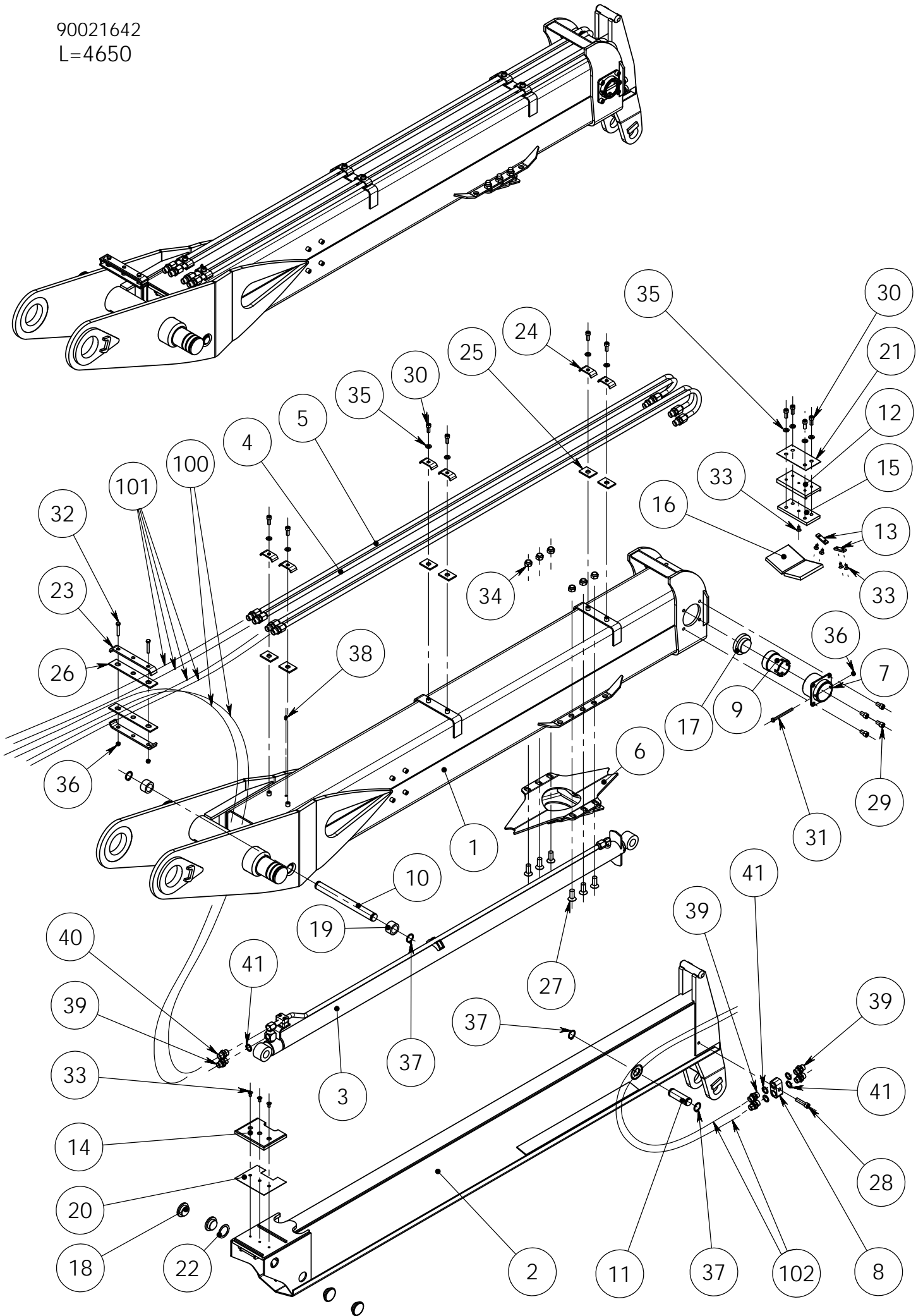
Pos	Item code	Title	Specification	Pc	Nto Weight
1	90021498	LIFT BOOM	L=3590	1	368.82
2	90021180	PIPE	1 RIGHT KOK	1	1.28
3	90021181	PIPE	1 LEFT KOK	1	1.33
4	90021184	PIPE	2 RIGHT KOK	1	2.98
5	90021186	PIPE	2 LEFT KOK	1	2.98
6	90021188	PIPE	3 RIGHT KOK	1	2.96
7	90021190	PIPE	3 LEFT KOK	1	2.96
8	90021192	PIPE	4 RIGHT KOK	1	2.31
9	90021194	PIPE	4 LEFT KOK	1	2.93
10	90021197	PIPE	5 RIGHT KOK ( SÄHKÖ )	1	2.91
11	90018994	PIPE	6 KOK	2	21.2
12	90018995	PIPE	7 KOK	2	21.15
13	90021486	COVER		1	3.11
14	90018973	FASTENER		1	0.99
15	90013744	FASTENER		3	0.32
16	90022330	FASTENER	6X30-250	2	0.3
17	90010442	FASTENER	LT4X30-72	2	0.07
18	90013489	RUBBER	5X40X220	7	0.06
19	90021961	RUBBER	5X40-190	2	0.05
20	90010443	RUBBER	5X55-40	2	0.01
21	3090459	CONNECTOR	1210-10-10-10	2	0.21
22	3100382	BUSHING	WB 802 9090	2	0.51
23	3050003	GREASE NIPPLE	M8X1,25 DIN 71412	2	0
24	3010249	ALLEN SCREW	M10X40 8.8 ZN DIN 912	4	0
25	3010248	ALLEN SCREW	M10X30 8.8 ZN DIN 912	2	0
26	3010685	ALLEN SCREW	M10X25 8.8 ZN DIN 912	11	0
27	3010192	ALLEN SCREW	M10X20 8.8 ZN DIN 912	9	0
28	3030003	WASHER	M10/11 ZN DIN 126	26	0
29	90015473	FASTENER		1	0.32
100	3130523	HYDRAULIC HOSE	5201-08/HI-98C-08/5201-08/L=500	4	



Item code	90025811	Revision	-
Title	LIFT BOOM	Date	16.10.2012
Specification	VAR		

Pos	Item code	Title	Specification	Pc	Nto Weight
1	90021498	LIFT BOOM	L=3590	1	367.28
2	90024948	PIPE	1 RIGHT JIC	1	0.87
3	90024947	PIPE	1 LEFT JIC	1	0.92
4	90024949	PIPE	2 RIGHT JIC	1	2.46
5	90024946	PIPE	2 LEFT JIC	1	2.46
6	90024950	PIPE	3 RIGHT JIC	1	2.44
7	90024945	PIPE	3 LEFT JIC	1	2.44
8	90024951	PIPE	4 RIGHT JIC	1	2.41
9	90024944	PIPE	4 LEFT JIC	1	2.41
10	90024952	PIPE	5 RIGHT JIC	1	2.39
11	90024953	PIPE	2ND BOOM CYLINDER JIC	2	0.38
12	90024954	PIPE	2ND BOOM CYLINDER JIC	2	0.33
13	90021486	COVER		1	3.11
14	90024943	FASTENER		1	0.95
15	90013744	FASTENER		4	0.32
16	90022330	FASTENER	6X30-250	2	0.3
17	90010442	FASTENER	LT4X30-72	2	0.07
18	90013489	RUBBER	5X40X220	7	0.06
19	90021961	RUBBER	5X40-190	2	0.05
20	90010443	RUBBER	5X55-40	2	0.01
21	3090459	CONNECTOR	1210-10-10-10	2	0.21
22	3100382	BUSHING	WB 802 9090	2	0.51
23	3050003	GREASE NIPPLE	M8X1,25 DIN 71412	2	0
24	3010249	ALLEN SCREW	M10X40 8.8 ZN DIN 912	4	0
25	3010685	ALLEN SCREW	M10X25 8.8 ZN DIN 912	13	0
26	3010192	ALLEN SCREW	M10X20 8.8 ZN DIN 912	9	0
27	3030003	WASHER	M10/11 ZN DIN 126	26	0
28	90024941	PIPE	5 LEFT JIC	1	2.39
100	3133061	HYDRAULIC HOSE	A50005-10-8/261E-08/500200-10-08/L=520	4	

90021642  
L=4650



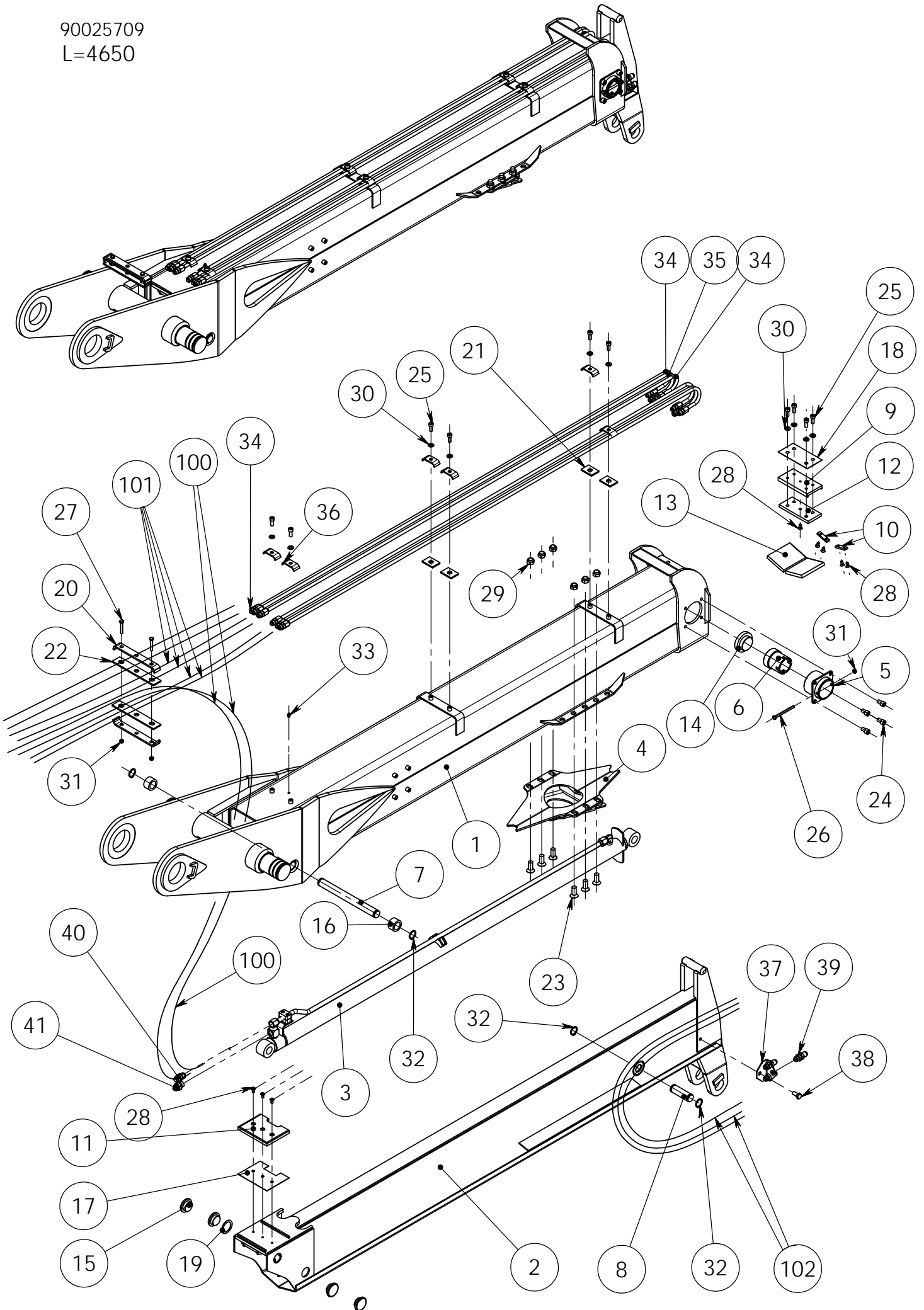
Item code	90021642	Revision	-
Title	OUTER BOOM	Date	27.02.2007
Specification	L=4650		

Pos	Item code	Title	Specification	Pc	Nto Weight
1	90021331	OUTER BOOM	L=3000	1	213.79
2	90021384	EXTENSION	L=2445	1	105.64
3	90021354	CYLINDER	50/30 X 1650	1	28.88
4	90021405	PIPE	L=2324 KOK	2	1.75
5	90021407	PIPE	L=2365 KOK	2	1.77
6	90021531	RACK	HITS	1	6.75
7	90021394	FASTENER	HITS	2	1.31
8	90021408	CONNECTOR	R 1/2"	2	0.35
9	90021396	FASTENER		2	0.85
10	90018765	AXLE	30-304	1	1.68
11	90021399	AXLE	30X96	1	0.53
12	90014762	FASTENER		1	1.01
13	90010345	HOLDER		2	0.03
14	90014887	GLIDE PAD	120X155	1	0.24
15	90014766	GLIDE PAD	12x70x155	1	0.12
16	90014768	GLIDE PAD	12 X 90 X 120	2	0.15
17	90021397	GLIDE PAD	56X80-15X15	2	0.13
18	90011001	GLIDE PAD	D=55-19/7	4	0.03
19	90021928	SLEEVE	45/31-26	2	0.02
20	90017085	PLATE	119X155	1	0.13
21	90015124	PLATE	80 X 155	1	0.09
22	21039422	SHIM	1XD=55	1	0.01
23	90013744	FASTENER		2	0.32
24	90010442	FASTENER	LT4X30-72	6	0.07
25	90010443	RUBBER	5X55-40	6	0.01
26	90013489	RUBBER	5X40X220	2	0.06
27	3010633	ALLEN SCREW	M16X40 10.9 DIN 7991	6	0
28	3010580	ALLEN SCREW	M12X50 8.8 ZN DIN 912	2	0
29	3010604	ALLEN SCREW	M12X20 8.8 DIN 912	8	0
30	3010685	ALLEN SCREW	M10X25 8.8 ZN DIN 912	10	0
31	3010447	HEW SCREW	M8X100 8.8 ZN DIN 931	2	0
32	3010072	HEW SCREW	M8X50 8.8 ZN DIN 931	2	0
33	3010190	ALLEN SCREW	M8X16 10.9 DIN 7991	8	0
34	3020010	NUT	M16 ZN DIN 985	6	0.03
35	3030003	WASHER	M10/11 ZN DIN 126	10	0
36	3020001	NUT	M8 ZN DIN 985	4	0.01

Item code	90021642	Revision	-
Title	OUTER BOOM	Date	27.02.2007
Specification	L=4650		

Pos	Item code	Title	Specification	Pc	Nto Weight
37	3060092	SNAP RING	AS 30X2 ZN DIN 471	4	0
38	3050003	GREASE NIPPLE	M8X1,25 DIN 71412	1	0
39	3090019	CONNECTOR (STRAIGHT)	04000-08 R1/2"	9	0.1
40	3090917	CONNECTOR (STRAIGHT)	26-040010810 R 1/2" -7/8" JIC	9	0.11
41	3110042	USIT-SEAL	R-08 R 1/2"	9	0.01
100	3132581	HYDRAULIC HOSE	5601-08/HI-33-08/5660-08/L=1100	2	
101	3132582	HYDRAULIC HOSE	5601-08/HI-33-08/5601-08/L=1000	4	
102	3132530	HYDRAULIC HOSE	5701-08/241X-08/5701-08/L=2240	4	

90025709  
L=4650



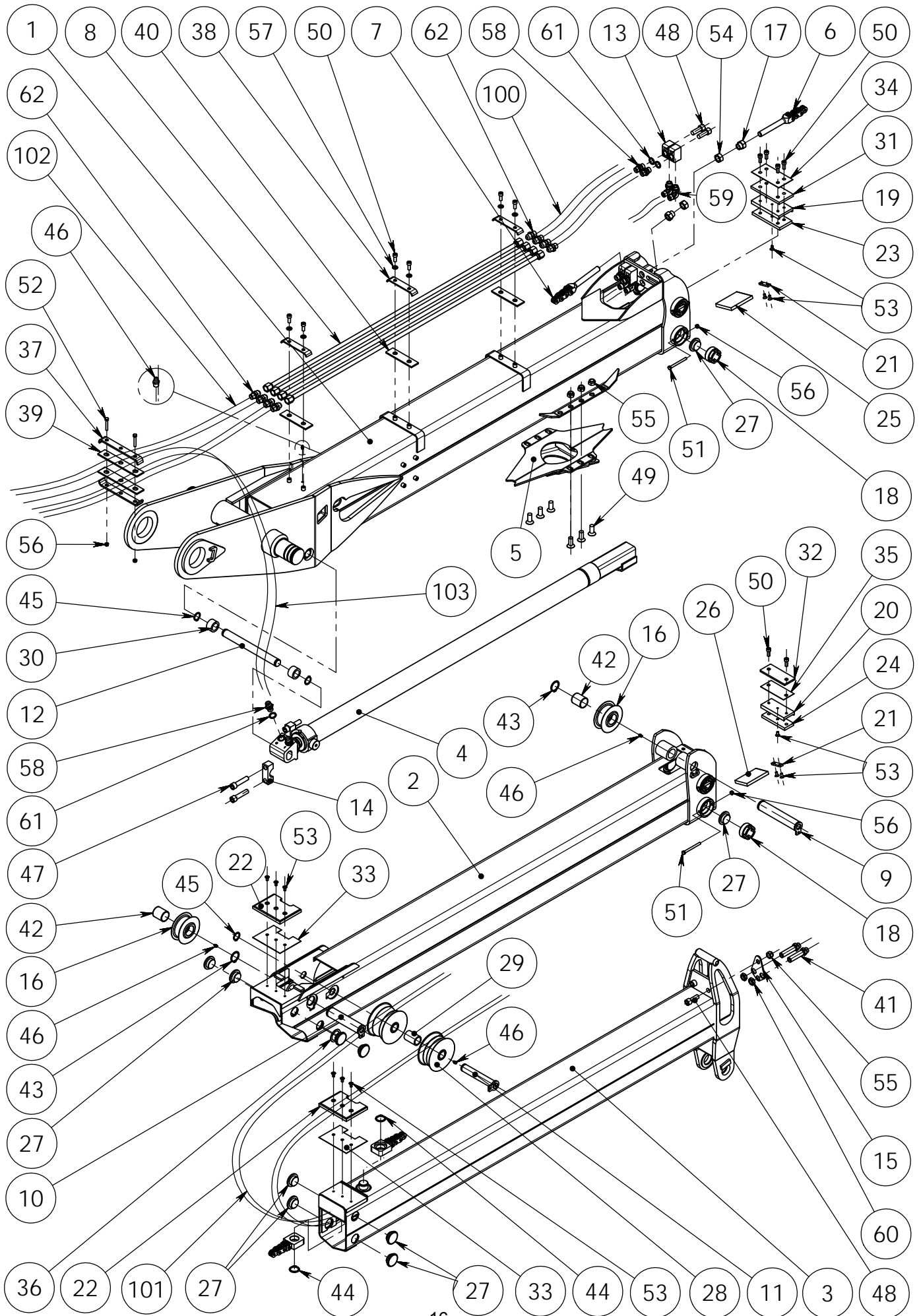
Item code	90025709	Revision	-
Title	OUTER BOOM	Date	29.08.2012
Specification	1-JATK		

Pos	Item code	Title	Specification	Pc	Nto Weight
1	90021331	OUTER BOOM	L=3000	1	213.79
2	90021384	EXTENSION	L=2445	1	105.64
3	90021354	CYLINDER	50/30 X 1650	1	28.88
4	90021531	RACK	HITS	1	6.75
5	90021394	FASTENER	HITS	2	1.31
6	90021396	FASTENER		2	0.85
7	90018765	AXLE	30-304	1	1.68
8	90021399	AXLE	30X96	1	0.53
9	90014762	FASTENER		1	1.01
10	90010345	HOLDER		2	0.03
11	90014887	GLIDE PAD	120X155	1	0.24
12	90014766	GLIDE PAD	12x70x155	1	0.12
13	90014768	GLIDE PAD	12 X 90 X 120	2	0.15
14	90021397	GLIDE PAD	56X80-15X15	2	0.13
15	90011001	GLIDE PAD	D=55-19/7	4	0.03
16	90021928	SLEEVE	45/31-26	2	0.02
17	90017085	PLATE	119X155	1	0.13
18	90015124	PLATE	80 X 155	1	0.09
19	21039422	SHIM	1XD=55	1	0.01
20	90013744	FASTENER		2	0.32
21	90010443	RUBBER	5X55-40	4	0.01
22	90013489	RUBBER	5X40X220	2	0.06
23	3010633	ALLEN SCREW	M16X40 10.9 DIN 7991	6	0
24	3010604	ALLEN SCREW	M12X20 8.8 DIN 912	8	0
25	3010685	ALLEN SCREW	M10X25 8.8 ZN DIN 912	10	0
26	3010447	HEW SCREW	M8X100 8.8 ZN DIN 931	2	0
27	3010072	HEW SCREW	M8X50 8.8 ZN DIN 931	2	0
28	3010190	ALLEN SCREW	M8X16 10.9 DIN 7991	8	0
29	3020010	NUT	M16 ZN DIN 985	6	0.03
30	3030003	WASHER	M10/11 ZN DIN 126	10	0
31	3020001	NUT	M8 ZN DIN 985	4	0.01
32	3060092	SNAP RING	AS 30X2 ZN DIN 471	4	0
33	3050003	GREASE NIPPLE	M8X1,25 DIN 71412	1	0
34	90025713	HYDRAULIC PIPE		4	1.1
35	90025712	HYDRAULIC PIPE		2	1.11
36	90010442	FASTENER	LT4X30-72	6	0.07



Item code	90025709	Revision	-
Title	OUTER BOOM	Date	29.08.2012
Specification	1-JATK		

Pos	Item code	Title	Specification	Pc	Nto Weight
37	90025793	FASTENER	3X3/8"	2	0.14
38	3010442	HEW SCREW	M12X25 8.8 ZN DIN 933	2	0
39	3090952	CONNECTOR	29-1030-08-08	6	0.11
40	3090654	CONNECTOR	1010-10-10	1	0.09
41	3090289	CONNECTOR	6010-08-10	1	0.11
100	3133221	HYDRAULIC HOSE	A50005-10-8/261E-08/50064-10-08/L=1100	2	
101	3133062	HYDRAULIC HOSE	A50005-10-8/261E-08/A50005-08-06/L=1000	6	
102	3133222	HYDRAULIC HOSE	A50005-08-06/261E-06/A50005-08-06/L=2240	6	



Item code	90021176	Revision	-
Title	OUTER BOOM	Date	19.09.2007
Specification	L=6000		

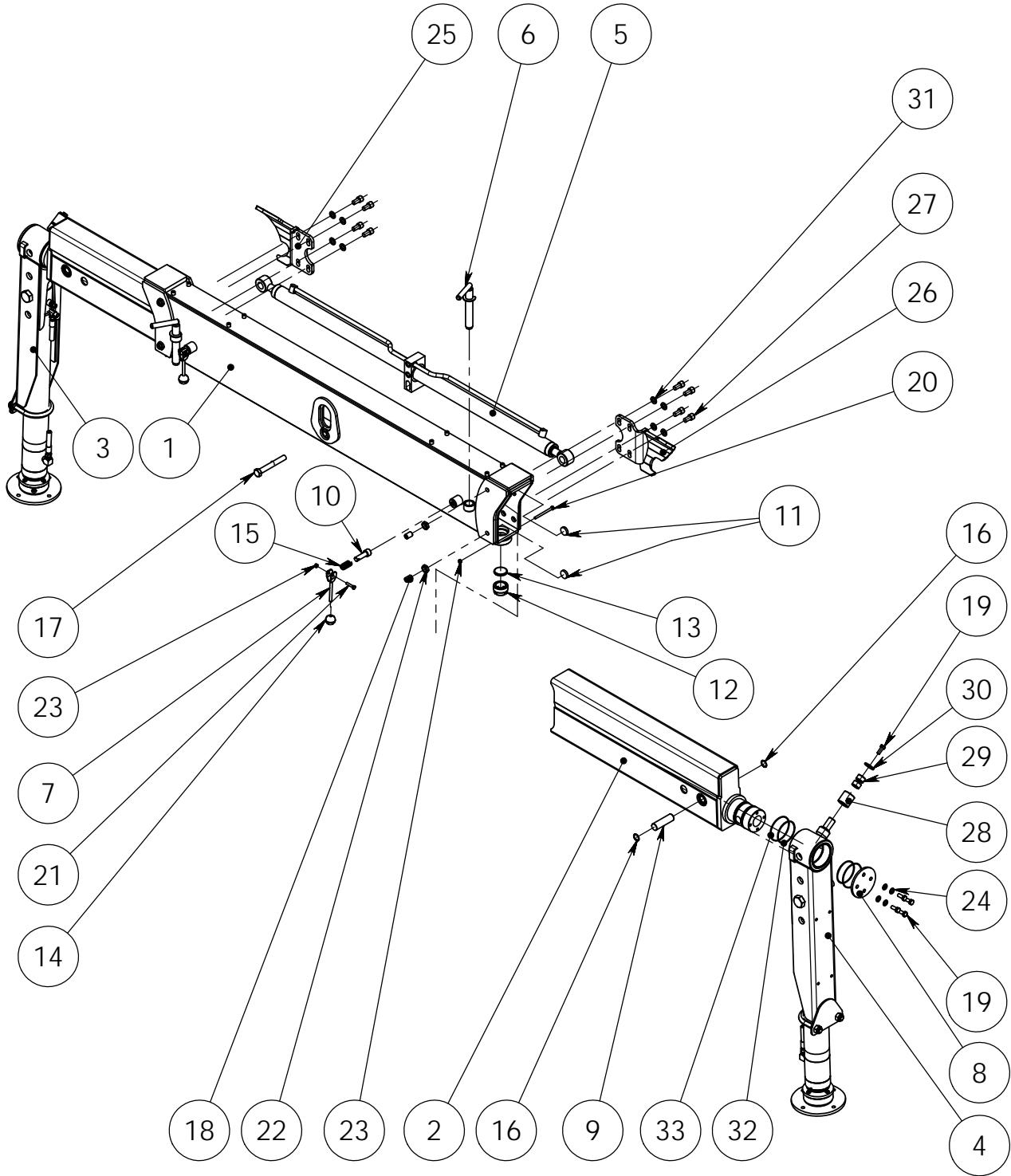
Pos	Item code	Title	Specification	Pc	Nto Weight
1	90021127	OUTER BOOM	L=2845	1	211.62
2	90021134	EXTENSION 1	L=2450	1	93.59
3	90021147	EXTENSION 2	L=2170	1	71.32
4	28658001	CYLINDER	70/40X1450	1	40.35
5	90021531	RACK	HITS	1	6.75
6	90021171	CHAIN	3X4 (77 LENKKIÄ )	1	1.42
7	90021172	CHAIN	3X4 (87 LENKKIÄ )	1	1.42
8	90021148	PIPE	L=1420	4	1.12
9	90022104	AXLE	40-211 HITS	1	2.05
10	90022102	AXLE	40-179 HITS	1	1.74
11	90019107	AXLE	30-183	1	0.97
12	90018765	AXLE	30-304	1	1.68
13	90019105	CONNECTOR	R 1/2"	4	0.41
14	90019106	COVER		2	0.37
15	90019118	FASTENER	R / JIC	2	0.14
16	90021697	WHEEL	R1", 3X4, D90	2	1.96
17	90017520	NUT	M20-30	2	0.09
18	90016090	FASTENER		8	0.35
19	90014762	FASTENER		1	1.01
20	90014763	FASTENER		1	0.65
21	90010345	HOLDER		4	0.03
22	90014887	GLIDE PAD	120X155	2	0.24
23	90014766	GLIDE PAD	12x70x155	1	0.12
24	90014770	GLIDE PAD	50X130	1	0.07
25	90014768	GLIDE PAD	12 X 90 X 120	2	0.15
26	90012374	GLIDE PAD	70X 120	2	0.1
27	90011001	GLIDE PAD	D=55-19/7	16	0.03
28	90019125	ROLL		4	0.32
29	90019109	SLEEVE	40/31-57	1	0.03
30	90021928	SLEEVE	45/31-26	2	0.02
31	90019137	PLATE		1	0.97
32	90021177	PLATE		1	0.38
33	90017085	PLATE	119X155	2	0.13
34	90015124	PLATE	80 X 155	1	0.09
35	90015142	PLATE	60 X 130	1	0.06
36	21039422	SHIM	1XD=55	1	0.01

Item code	90021176	Revision	-
Title	OUTER BOOM	Date	19.09.2007
Specification	L=6000		

Pos	Item code	Title	Specification	Pc	Nto Weight
37	90013744	FASTENER		2	0.32
38	90012248	FASTENER	4X30-152	3	0.14
39	90013489	RUBBER	5X40X220	2	0.06
40	90010444	RUBBER	5X40-145	3	0.04
41	90012327	CONNECTOR	1/2" EP ( L=100)	4	0.19
42	3100188	BUSHING	WB 802 4050	2	0.1
43	3060100	SNAP RING	AS 40X2.5 ZN DIN 471	2	0
44	3060091	SNAP RING	AS 35X2.5 ZN DIN 471	2	0.01
45	3060092	SNAP RING	AS 30X2 ZN DIN 471	3	0
46	3050003	GREASE NIPPLE	M8X1,25 DIN 71412	4	0
47	3010277	ALLEN SCREW	M16X70 12.9 ZN DIN 912	4	0
48	3010273	ALLEN SCREW	M16X45 8.8 DIN 912	6	0
49	3010633	ALLEN SCREW	M16X40 10.9 DIN 7991	6	0
50	3010685	ALLEN SCREW	M10X25 8.8 ZN DIN 912	12	0
51	3010328	HEW SCREW	M8X90 8.8 ZN DIN 931	8	0
52	3010072	HEW SCREW	M8X50 8.8 ZN DIN 931	2	0
53	3010190	ALLEN SCREW	M8X16 10.9 DIN 7991	16	0
54	3020032	NUT	M20 ZN DIN 934/8	2	0
55	3020010	NUT	M16 ZN DIN 985	8	0.03
56	3020001	NUT	M8 ZN DIN 985	10	0.01
57	3030003	WASHER	M10/11 ZN DIN 126	6	0
58	3090019	CONNECTOR (STRAIGHT)	04000-08 R1/2"	6	0.1
59	3090428	CONNECTOR (ANGLE)	26-04500-08	4	0.17
60	3090300	NUT		4	0.02
61	3110042	USIT-SEAL	R-08 R 1/2"	6	0.01
62	3090917	CONNECTOR (STRAIGHT)	26-040010810 R 1/2" -7/8" JIC	8	0.11
100	3130523	HYDRAULIC HOSE	5201-08/HI-98C-08/5201-08/L=500	4	
101	3132478	HYDRAULIC HOSE	5701-08/HI-84/5701-08/L=4050	4	0
102	3132582	HYDRAULIC HOSE	5601-08/HI-33-08/5601-08/L=1000	4	
103	3132583	HYDRAULIC HOSE	5601-08/HI-33-08/5660-08/L=1150	2	0

90021229

TUKIJALKA

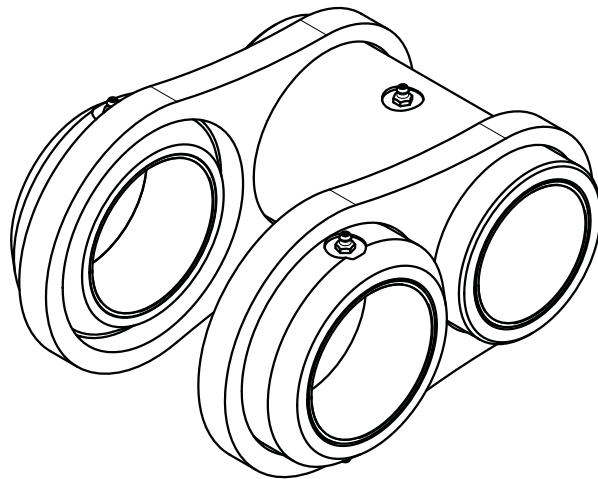
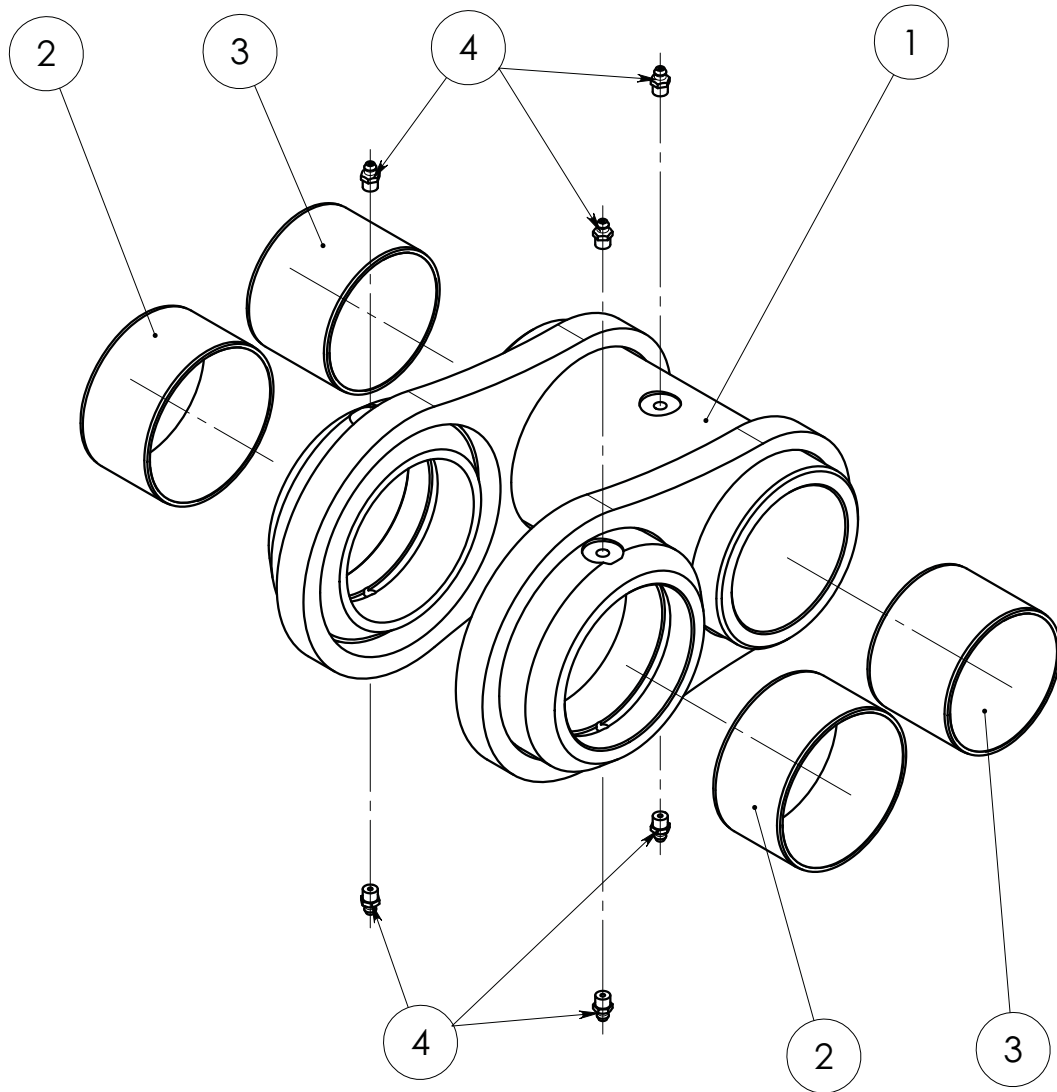


Item code	90021229	Revision	A
Title	STABILIZER	Date	30.10.2006
Specification	JALKAVAR		

Pos	Item code	Title	Specification	Pc	Nto Weight
1	90021222	BEAM	HITS	1	139.07
2	90021227	ARM	HITS	2	47.04
3	90020725	STABILIZER	RIGHT L=600 KOK	1	89.43
4	90020765	STABILIZER	LEFT L=600 KOK	1	89.43
5	28772001	CYLINDER	50/30X2X650	1	18.23
6	90011249	AXLE	HITS	2	1.43
7	90012844	LEVER	10-120	2	0.16
8	90011250	FLANGE	135 - 8	2	0.86
9	90013050	AXLE	30-102	2	0.57
10	90012843	SPINDLE	28/18-76	2	0.2
11	90020807	GLIDE PAD	35 - 8	4	0.01
12	90016090	FASTENER		2	0.35
13	90020689	GLIDE PAD	40X55-7X5	2	0.03
14	3120453	KNOB		2	0.25
15	3300533	SPRING	18/45/7.6/6.88 -1643 SF-TF3	2	0.02
16	3060019	SNAP RING	30 DIN 472	4	0
17	3010049	HEW SCREW	M20X150 8.8 ZN DIN 931	1	0
18	3010312	ALLEN SCREW	M20X30 10.9 ZN DIN 913	4	0
19	3010048	HEW SCREW	M12X30 8.8 ZN DIN 933	10	0
20	3010447	HEW SCREW	M8X100 8.8 ZN DIN 931	2	0
21	3010441	HEW SCREW	M8X40 8.8 ZN DIN 931	2	0
22	3020014	NUT	M20 ZN DIN 936	4	0
23	3020001	NUT	M8 ZN DIN 985	4	0.01
24	3030096	WASHER	M12 ZN DIN 125	8	0.01
25	90021843	CABLE	OIKEA HITS	1	4.9
26	90021844	CABLE	VASEN HITS	1	4.9
27	3010700	ALLEN SCREW	M16X30 8.8 ZN DIN 912	8	0
28	90012841	SLEEVE	50/34-50	2	0.41
29	3100124	BUSHING	PM 3020 DX	4	0.03
30	3030122	WASHER	M12 ZN DIN 440	2	0.04
31	3030006	WASHER	M16/17 ZN DIN 125	8	0.01
32	3110934	SEAL	O 94,5X3 70 SHORE	4	0.02
33	3110259	O-RING	104.5X3 90 SHORE	4	0.02

90020965

TANKO





## SPARE PART LIST

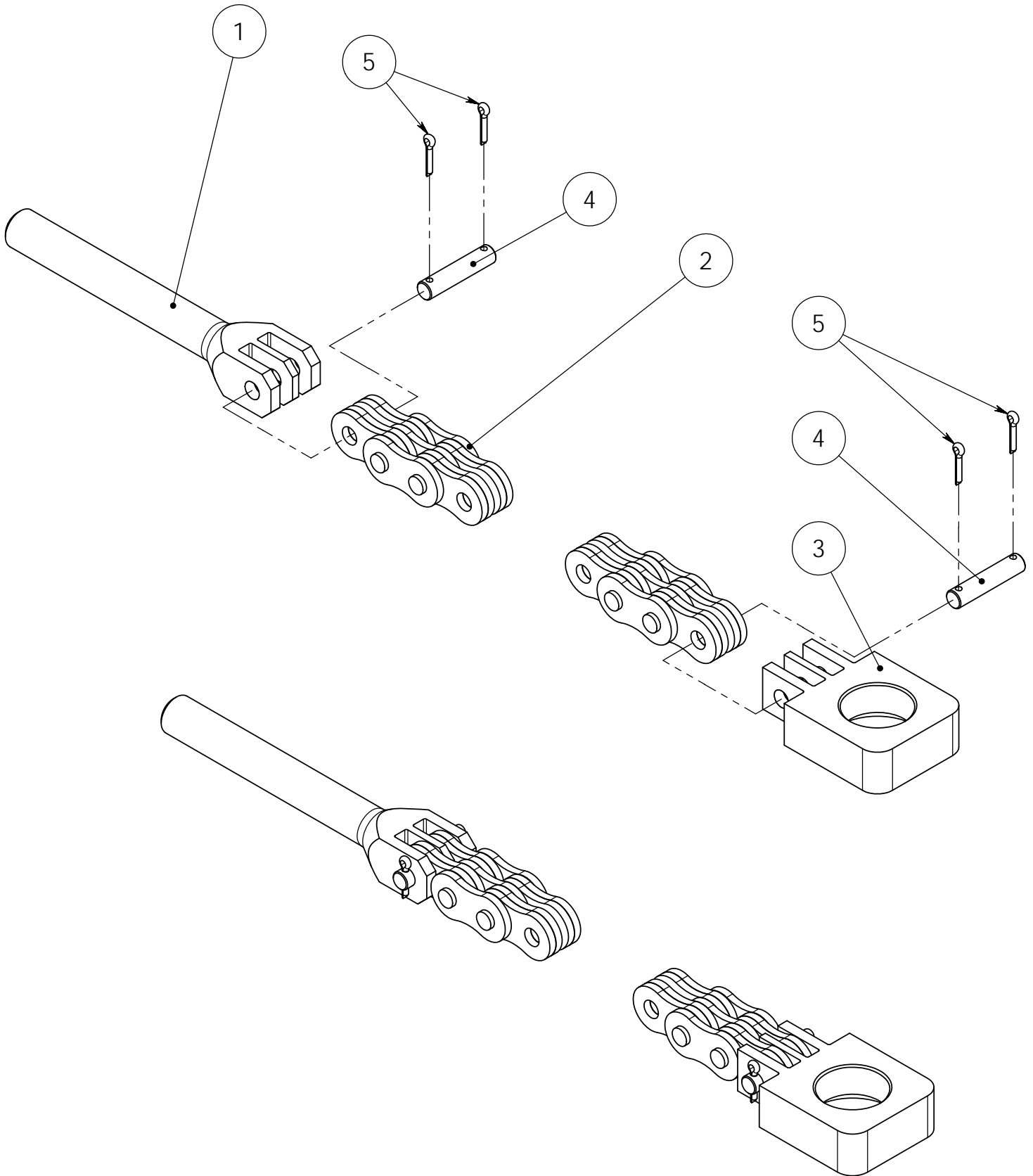
Item code	90020965	Revision	-
Title	TANKO	Date	08.12.2005
Specification	VAR		

Pos	Item code	Title	Specification	Dimensions	Pc	Amount	Unit	Nto Weight
1	90020964	TANKO LÄNK LINK GELENK	KONESTUS		1			12.53
2	3100380	LAAKERI LAGER BEARING LAGER	WB 802.9050		2			0.28
3	3100226	LAAKERI LAGER BEARING LAGER	WB 802.8060		2			0.3
4	3050003	RASVANIPPA SMÖRJNIPPEL GREASE NIPPLE SCHMIERNIPPEL	M8X1,25 DIN 71412		6			0



90021171

3 x 4 / 77 LINKS

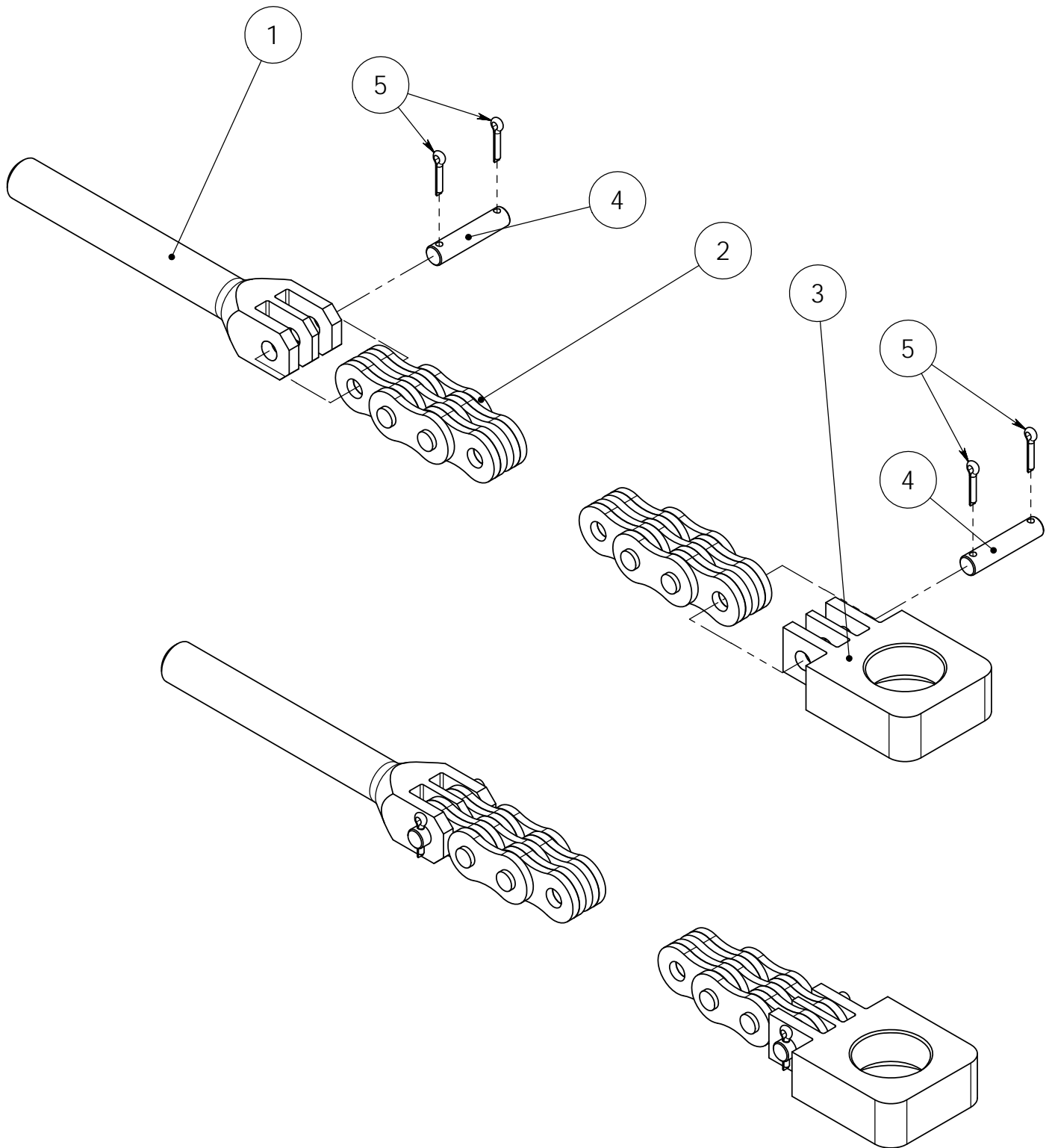


Item code	90021171	Revision	A
Title	CHAIN	Date	09.05.2006
Specification	3X4 (77 LENKKIÄ)		

Pos	Item code	Title	Specification	Pc	Nto Weight
1	90021136	TENSIONER	R 1"	1	0.52
2	3190111	CHAIN	LH 1634 L=1956 77 LENKKIÄ	1	0.33
3	90021137	CONNECTOR	R 1"	1	0.53
4	3190184	PIN	LIITINTAPPI D=9,53-43,7 KETJULLE BL834	2	0.02
5	3040060	COTTER PIN	3,2X20 ZN DIN 94	4	0

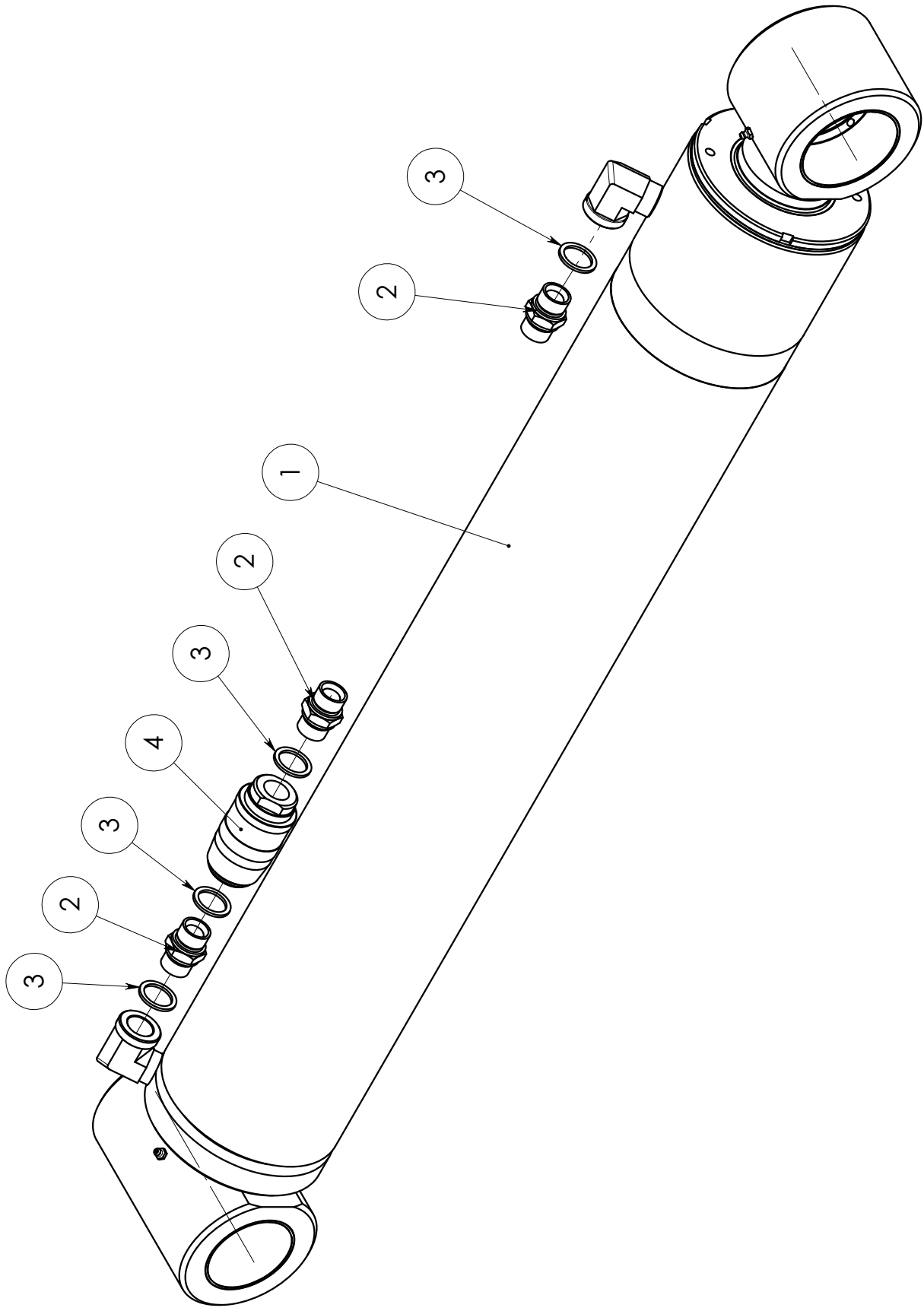
90021172

3 x 4/ 87 LINKS



Item code	90021172	Revision	A
Title	CHAIN	Date	10.05.2006
Specification	3X4 (87 LENKKIÄ)		

Pos	Item code	Title	Specification	Pc	Nto Weight
1	90021136	TENSIONER	R 1"	1	0.52
2	3190112	CHAIN	LH 1634 L=2210 ( 87 LENKKIÄ )	1	0.33
3	90021137	CONNECTOR	R 1"	1	0.53
4	3190184	PIN	LIITINTAPPI D=9,53-43,7 KETJULLE BL834	2	0.02
5	3040060	COTTER PIN	3,2X20 ZN DIN 94	4	0



NOSTO-  
SYLINTERI

90021565

VARAOSAT \ RESERVDELAR \ SPARE PARTS \ ERSATZTEIL



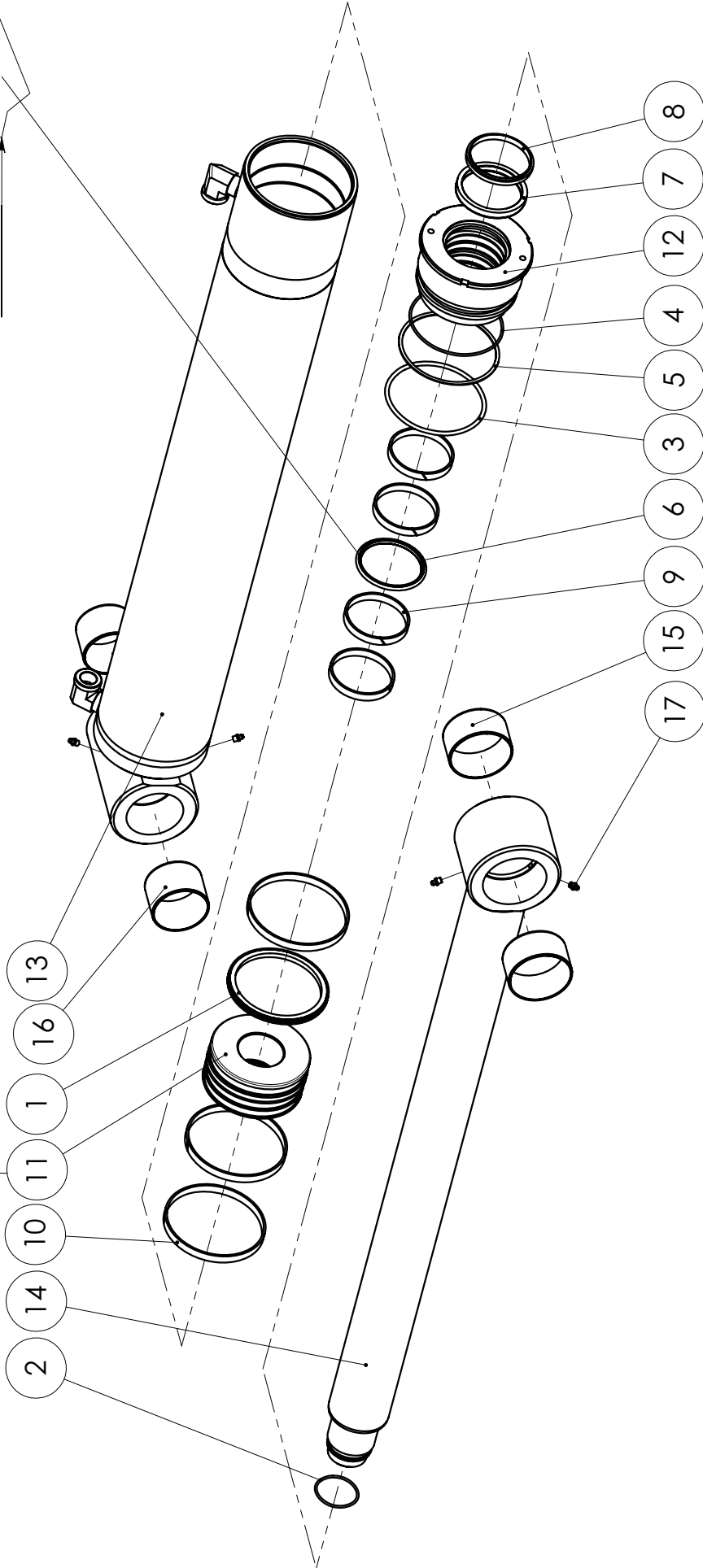
## SPARE PART LIST

Item code	90021565	Revision	-
Title	SYLINTERI	Date	09.01.2007
Specification	150 / 90 X 967 VARUSTELU		

Pos	Item code	Title	Specification	Dimensions	Pc	Amount	Unit	Nto Weight
1	28799001	SYLINTERI CYLINDER ZYLINDER	150/90 X 967		1			43.16
2	3090185	LIITIN KOPPLINGSSTYCKE KONNEKTOR	04000-12		3			0.14
3	3110130	TIIIVISTE TÄITNING SEAL DICHTUNG	USIT R-12 (R3/4")		4			0.01
4	3120235	VENTTIILI VENTIL VALVE VENTIL			1			1.24

Paine  
Tryck  
Pressure  
Druck

M=2000 Nm (200 kpm)  
LOCTITE 242





## SPARE PART LIST

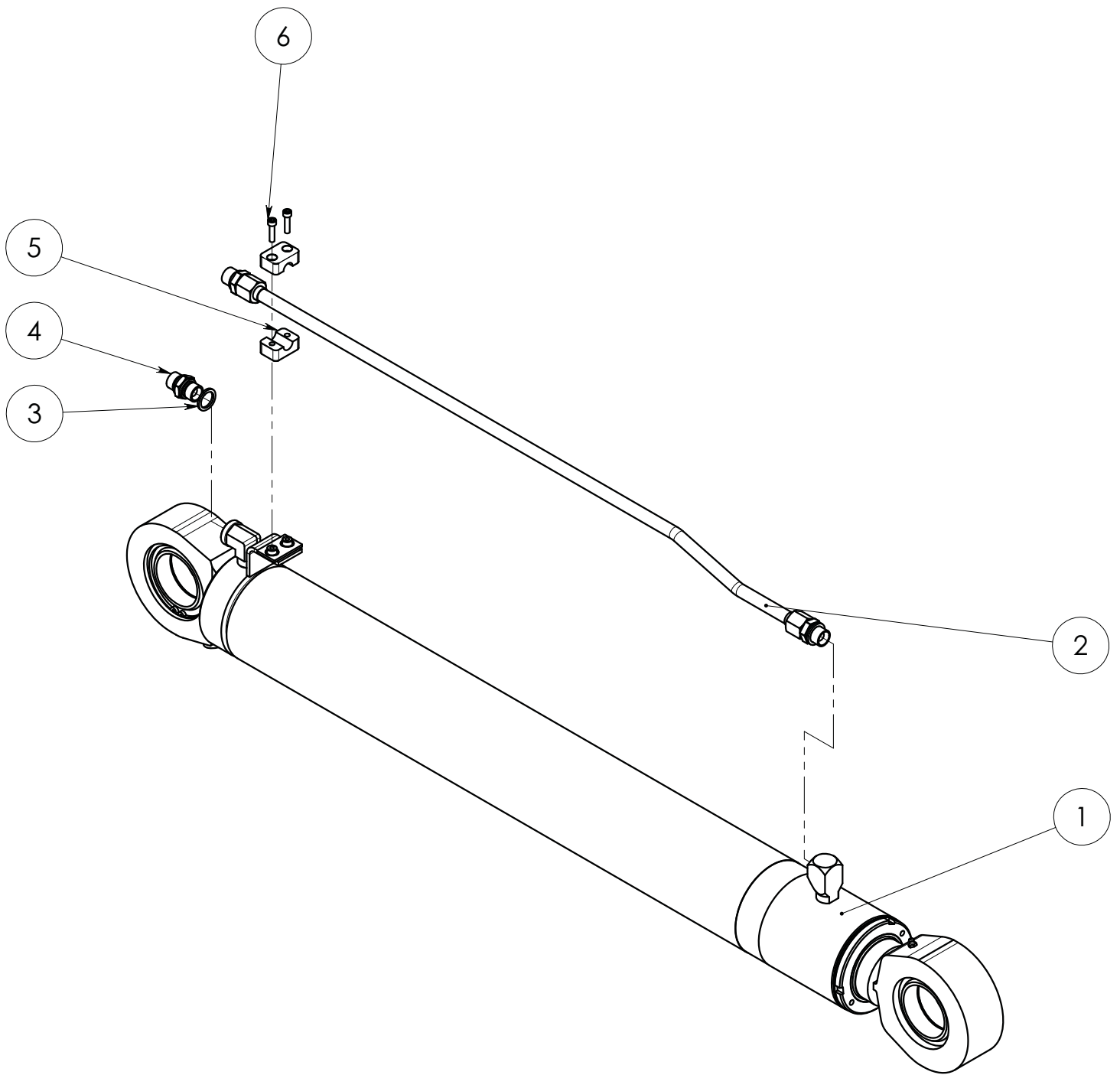
Item code	28799001	Revision	-
Title	SYLINTERI	Date	01.12.2006
Specification	150/90 X 967		

Pos	Item code	Title	Specification	Dimensions	Pc	Amount	Unit	Nto Weight
1	3110691	TIIVISTE TÄTNIING SEAL DICHTUNG	OK 150/129X8		1			0.28
2	3110004	TIIVISTE TÄTNIING SEAL DICHTUNG	O 59.5 X 3 90SH		1			0.01
3	3110421	TIIVISTE TÄTNIING SEAL DICHTUNG	O 139.3X5.7 90 SHORE		1			0.09
4	3110494	TIIVISTE TÄTNIING SEAL DICHTUNG	O 134.5 X 3 SH 90		1			0.02
5	3110692	TIIVISTE TÄTNIING SEAL DICHTUNG	TR 150/140X1.7 PU		1			0
6	3110882	TIIVISTE TÄTNIING SEAL DICHTUNG	OMS-MR 90/105.1X6	L=103	1			0.09
7	3110793	TIIVISTE TÄTNIING SEAL DICHTUNG	HALLITE 90/105X12		1			0.18
8	3110420	TIIVISTE TÄTNIING SEAL DICHTUNG	GA 90X100X7/10		1			0.09
9	3110795	OHJAIN STYRNING GUIDANCE STEUERUNG	I/PWR 90/96X13		4			0.09
10	3110693	OHJAIN STYRNING GUIDANCE STEUERUNG	E/PWR 150/144X13		3			0.14
11	28652201	MÄNTÄ KOLV PISTON KOLBEN	150	L=89	1			7.25
12	28799202	OHJAIN STYRNING GUIDANCE STEUERUNG	150/90	L=103	1			8.12
13	28799101	SYLINTERIPUTKI CYLINDERÖR CYLINDER BARREL ZYLINDERROHR	150/90 X 967		1			17.6
14	28799204	MÄNNÄNVARSI KOLVSTÄNG PISTON ROD KOLBENSTANGE	150/90 X 967	L=89	1			7.49
15	3100380	LAAKERI LAGER BEARING LAGER	WB 802 9050		2			0.28
16	3100226	LAAKERI LAGER BEARING LAGER	WB 802 8060		2			0.3
17	3050003	RASVANIPPA SMÖRJNIPPEL GREASE NIPPLE SCHMIERNIPPEL	M8X1.25 DIN 71412		4			0
-10	3110896	TIIVISTE TÄTNIING SEAL DICHTUNG	SEAL KIT 150/90		1			



90021298

# SYLINTERI





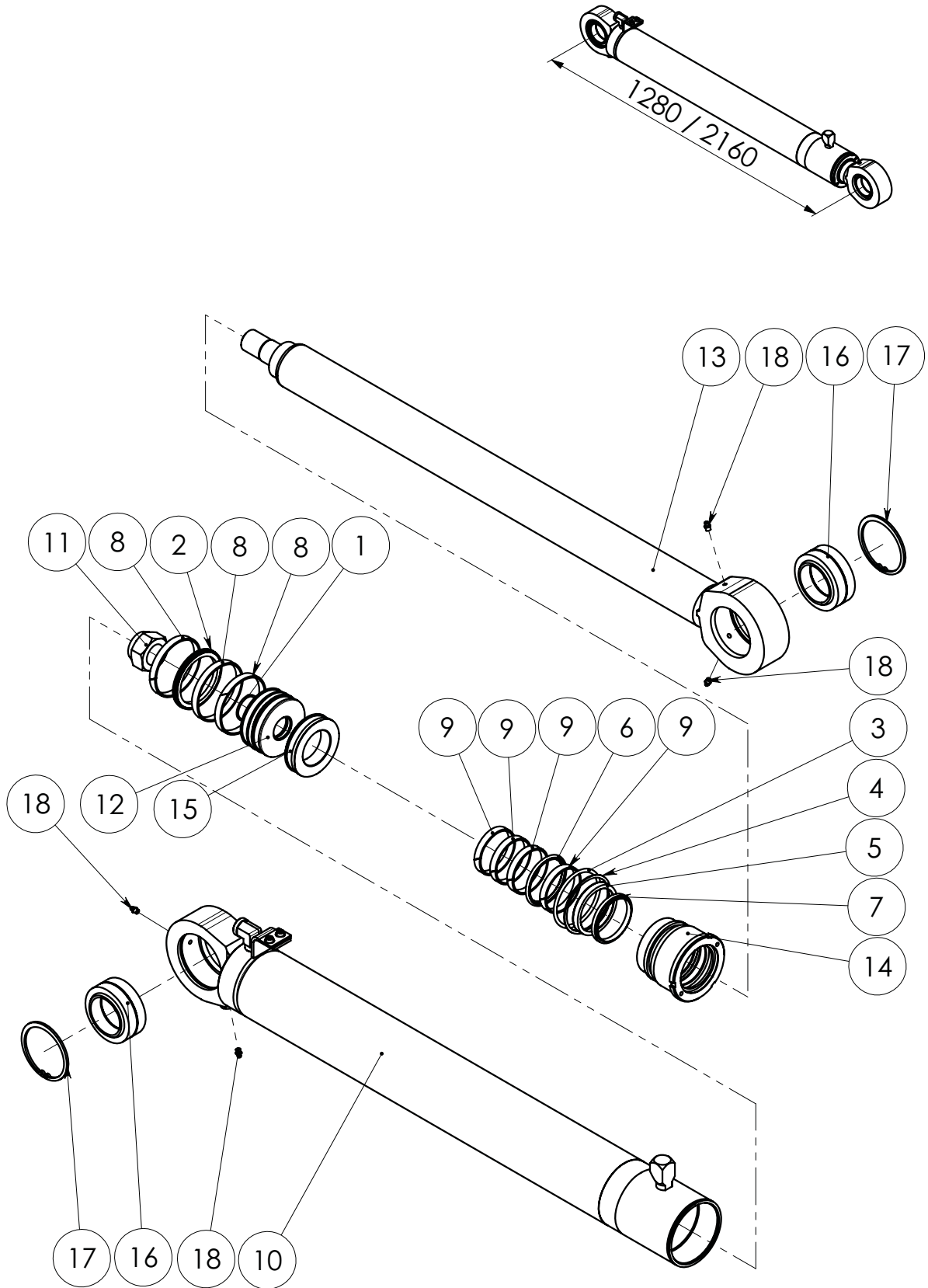
## SPARE PART LIST

Item code	90021298	Revision	-
Title	SYLINTERI	Date	11.09.2006
Specification	110/80X880		

Pos	Item code	Title	Specification	Dimensions	Pc	Amount	Unit	Nto Weight
1	28782001	SYLINTERI CYLINDER ZYLINDER	110 / 80 X 880		1			20.43
2	90018773	PUTKI RÖR PIPE ROHR	KOK		1			1.31
3	3110042	TIIIVISTE TÄITNING SEAL DICHTUNG	USIT R-08 (R1/2")		2			0.01
4	3090019	LIITIN KOPPLINGSSTYCKE CONNECTOR KONNEKTOR	04000-08 (R1/2")		1			0.1
5	3090291	KIINNIKE FÄSTE FASTENER BEFESTIGUNG	N 216		2			0.11
6	3010288	RUUVI SKRUV SCREW SCHRAUBE	KKR M6 X 25.8.8 ZN DIN 912		2			0

28782001

# SYLINTERI

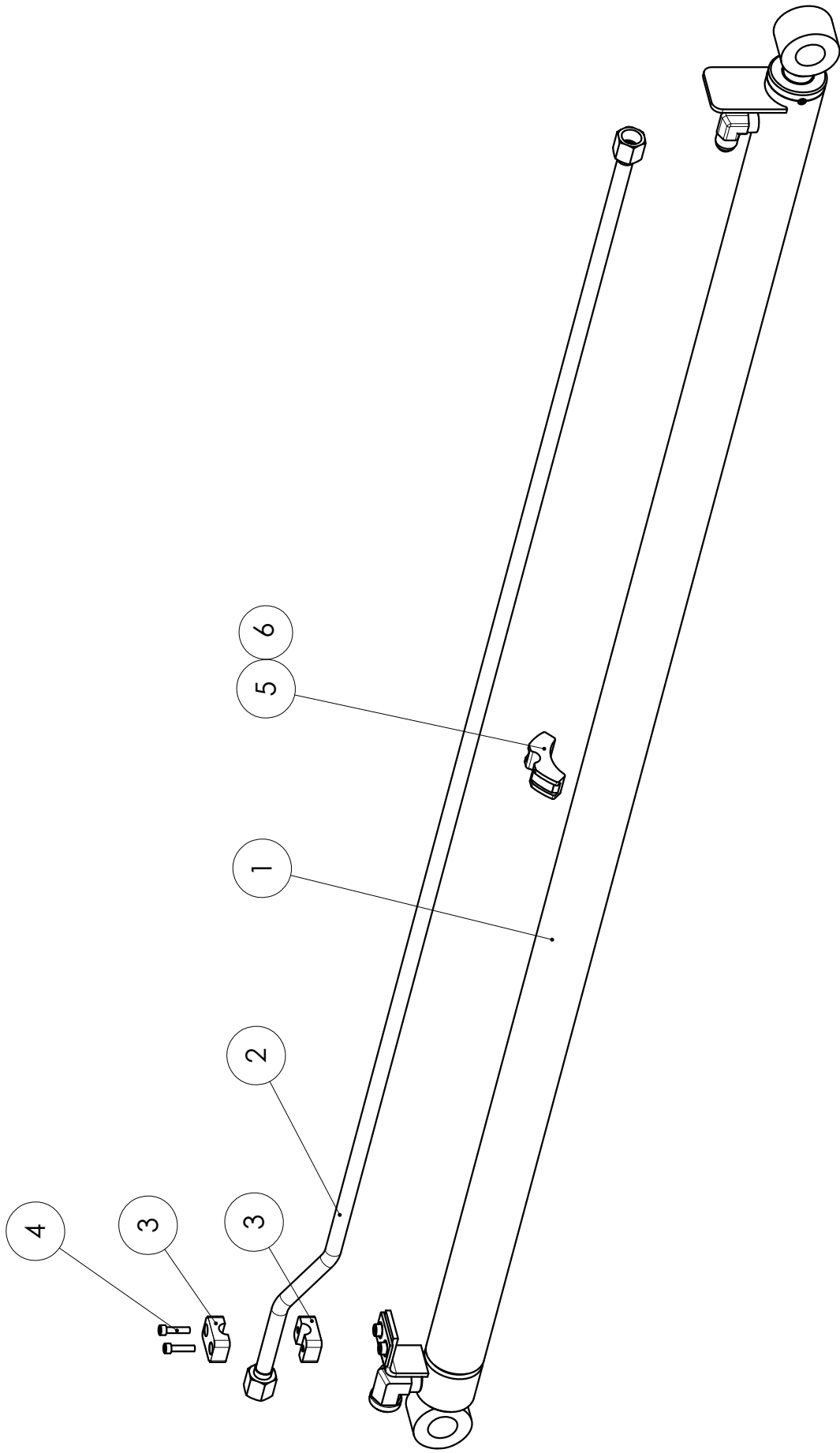




## SPARE PART LIST

Item code	28782001	Revision	-
Title	SYLINTERI	Date	11.10.2006
Specification	110 / 80 X 880		

Pos	Item code	Title	Specification	Dimensions	Pc	Amount	Unit	Nto Weight
1	3110258	TIIVISTE TÄTNIING SEAL DICHTUNG	O 42.2 X 3 90 SH		1			0.01
2	3110757	TIIVISTE TÄTNIING SEAL DICHTUNG	OK 110/89 X 8		1			0.2
3	3110275	TIIVISTE TÄTNIING SEAL DICHTUNG	O 99.2 X 5.7 90SH		1			0.07
4	3110274	TIIVISTE TÄTNIING SEAL DICHTUNG	TR 110/100 X 1.7 PU		1			0
5	3110251	TIIVISTE TÄTNIING SEAL DICHTUNG	NI300 80/95X12		1			0.16
6	3110880	TIIVISTE TÄTNIING SEAL DICHTUNG	OMS-MR 80/95.1X6		1			0.08
7	3110111	TIIVISTE TÄTNIING SEAL DICHTUNG	GA 80/90X7/10		1			0.08
8	3110566	OHJAIN STYRNING GUIDANCE STEUERUNG	E/PWR 110/104X13		3			0.1
9	3110788	OHJAIN STYRNING GUIDANCE STEUERUNG	I/PWR 80/86X13		4			0.08
10	28782101	SYLINTERIPUTKI CYLINDER RÖR CYLINDER BARREL ZYLINDERROHR	110 / 80 X 880		1			9.07
11	3020049	MUTTERI MUTTER NUT MUTTER	KM M39 X 3 ZN DIN 985		1			0
12	28590201	MÄNTÄ KOLV PISTON KOLBEN	110		1			2.5
13	28782204	MÄNNÄNVARSI KOLVSTÄNG PISTON ROD KOLBENSTANGE	110 / 80 X 880		1			5.28
14	28782202	OHJAIN STYRNING GUIDANCE STEUERUNG	110/80	L=103	1			2.93
15	28782105	HOLKKI HYLSA SLEEVE ACHSHALTER	110 / 80 X 880	L=26	1			0.97
16	3100134	LAAKERI LAGER BEARING LAGER	GE 70 ES		2			1.6
17	3060030	PIDÄTINRENGAS LÄSRING SNAPRING SPRENGRING	105X4 DIN 472		2			0
18	3050003	RASVANIPPA SMÖRJNIPPEL GREASE NIPPLE SCHMIERNIPPEL	M8X1.25 DIN 71412		4			0
1-9	3110881	TIIVISTE TÄTNIING SEAL DICHTUNG	SEAL KIT 110/80		1			



90021354 SYLINTERI

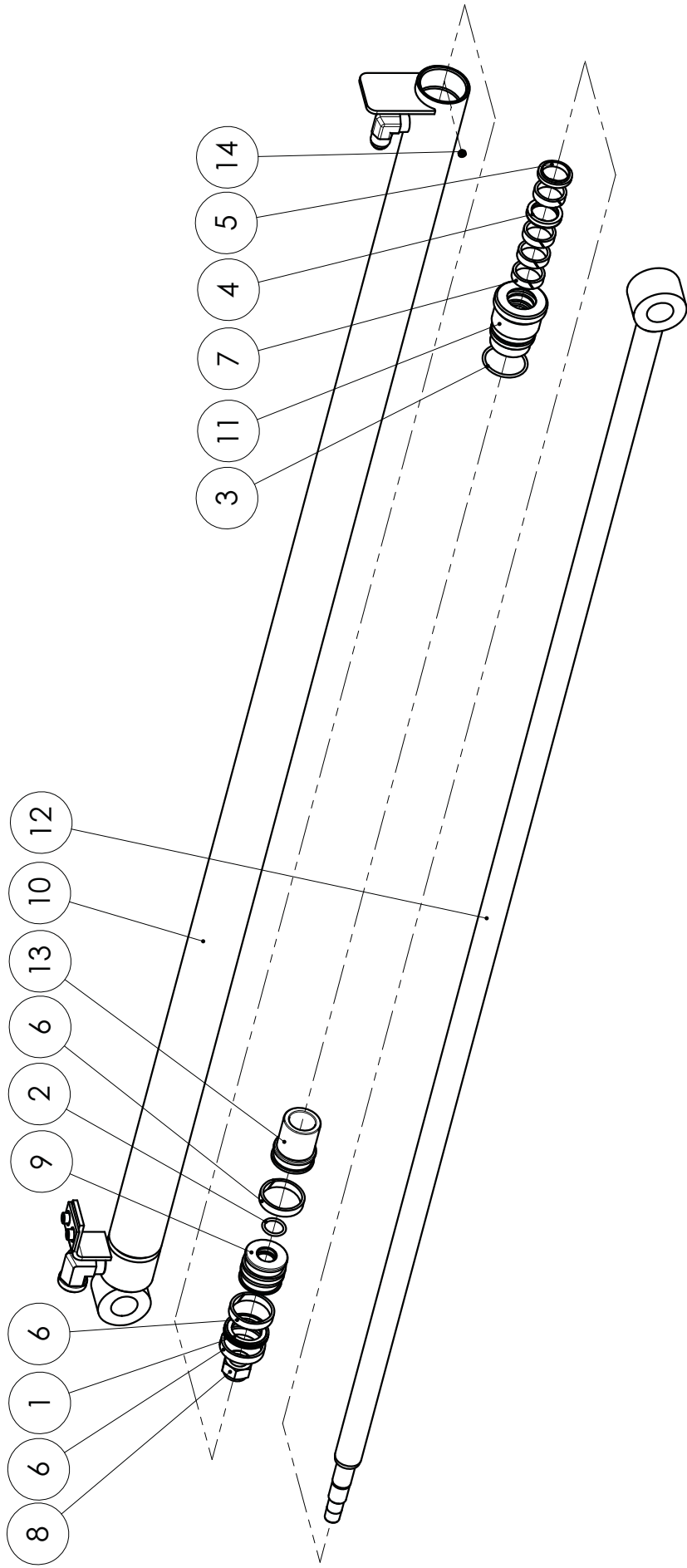
VARAOSAT \ RESERVDELAR \ SPARE PARTS \ ERSATZTEIL



## SPARE PART LIST

Item code	90021354	Revision	-
Title	SYLINTERI	Date	14.09.2006
Specification	50/30 X 1 650		

Pos	Item code	Title	Specification	Dimensions	Pc	Amount	Unit	Nto Weight
1	28791001	SYLINTERI CYLINDER ZYLINDER	50/30 X 1 650		1			4.43
2	90021343	PUTKI RÖR PIPE ROHR	KOK		1			1.66
3	3090291	KIINNIKE FÄSTE FASTENER BEFESTIGUNG	N 216		2			0.11
4	3010288	RUUVI. SKRUV. SCREW SCHRAUBE	KKR M6 X 25 8.8 ZN DIN 912		2			0
5	3090928	KIINNIKE FÄSTE FASTENER BEFESTIGUNG	30-ZR-518		1			0.22
6	3090929	LIITIN KOPPLINGSSTYCKE CONNECTOR KONNEKTOR	ABA-085		1			



28791001 SYLINTERI

VARAOSAT \ RESERVDELAR \ SPARE PARTS \ ERSATZTEIL



## SPARE PART LIST

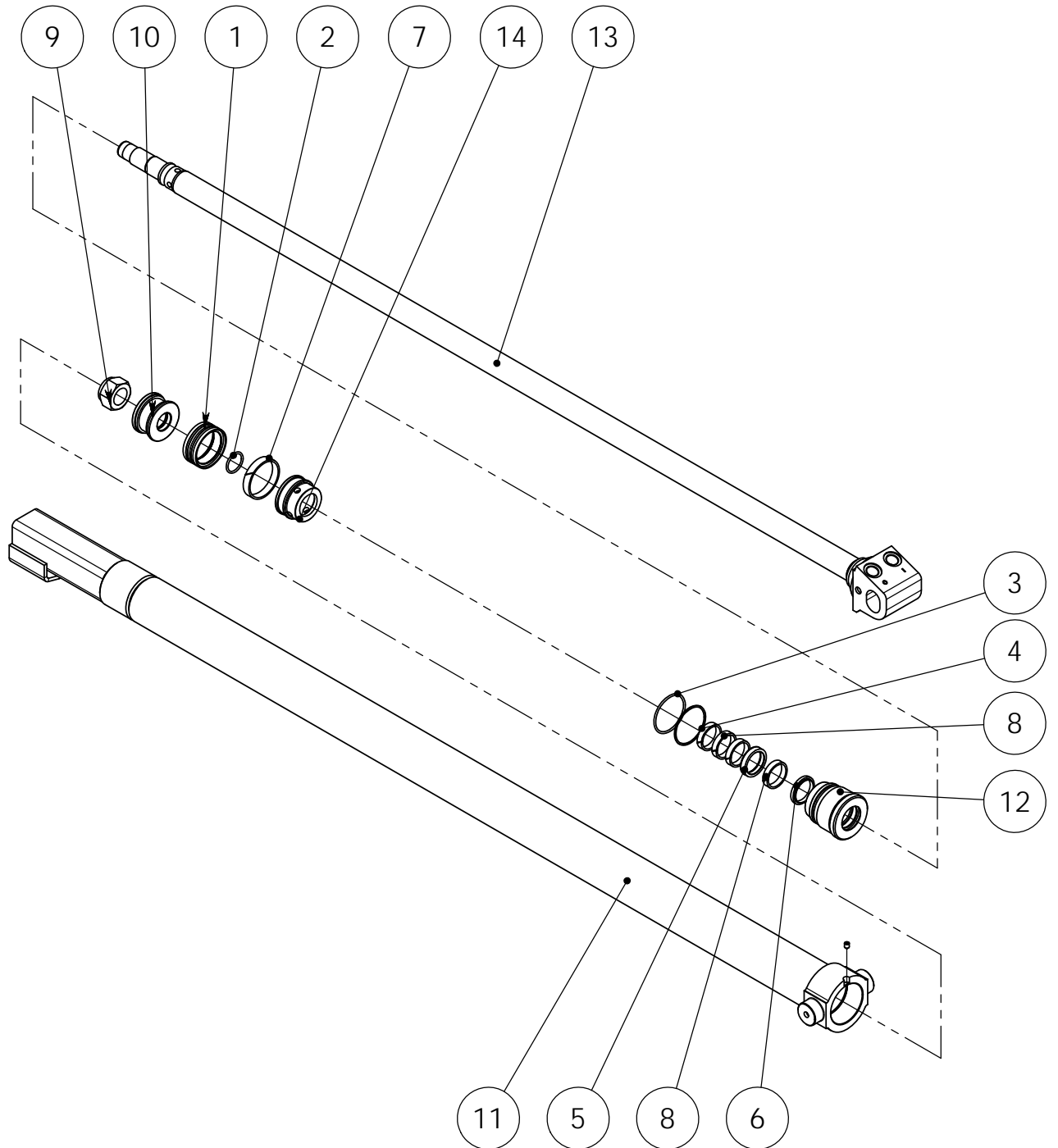
Item code	28791001	Revision	-
Title	SYLINTERI	Date	12.10.2006
Specification	50/30 X 1650		

Pos	Item code	Title	Specification	Dimensions	Pc	Amount	Unit	Nto Weight
1	3110676	TIIVISTE TÄTNIING SEAL DICHTUNG	SIMKO 300 50/34.5X6		1			0.05
2	3110261	TIIVISTE TÄTNIING SEAL DICHTUNG	O 21.2 X 3 90 SH		1			0
3	3110669	TIIVISTE TÄTNIING SEAL DICHTUNG	O 45 X 3 90SH		1			0.01
4	3110030	TIIVISTE TÄTNIING SEAL DICHTUNG	NI300 30/40X7		1			0.02
5	3110027	TIIVISTE TÄTNIING SEAL DICHTUNG	PW 30		1			0.02
6	3110677	OHJAIN STYRNING GUIDANCE STEUERUNG	E/PWR 50/44X10		3			0.03
7	3110741	OHJAIN STYRNING GUIDANCE STEUERUNG	I/PWR 30/36X10		4			0.02
8	3020009	MUTTERI MUTTER NUT MUTTER	KM M20 ZN DIN 985		1			0
9	28528201	MÄNTÄ KOLV PISTON KOLBEN	50 (SIMKO)		1			0.35
10	28791101	SYLINTERIPUTKI CYLINDER RÖR CYLINDER BARREL ZYLINDERROHR	50/30 X 1650		1			2.16
11	28586202	OHJAIN STYRNING GUIDANCE STEUERUNG	50/30	L=72	1			0.62
12	28791204	MÄNNÄNVARSI KOLVSTÄNG PISTON ROD KOLBENSTANGE	50/30 X 1650		1			0.66
13	28586105	HOLKKI HYLSA SLEEVE ACHSHALTER	ISKURAJOTTINHOLKKI	L=62	1			0.37
14	3010793	RUUVI SKRUV SCREW SCHRAUBE	KKR M8 X 6 ZN DIN 914		1			0
1-7	3110756	TIIVISTE TÄTNIING SEAL DICHTUNG	SARJA 50/30		1		sj	



28658001

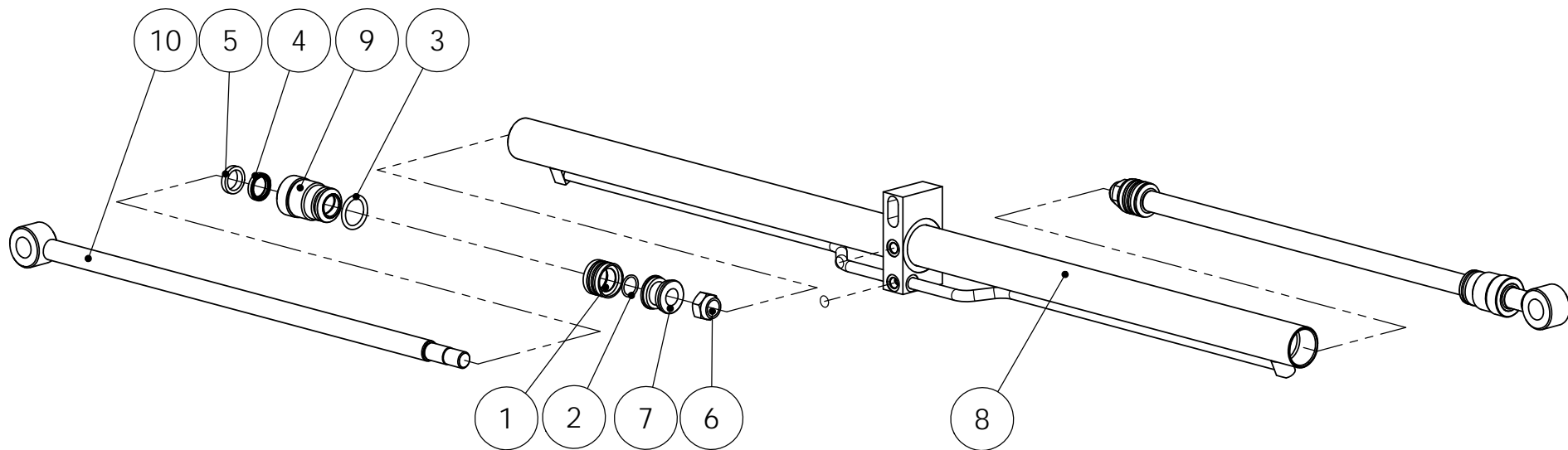
# SYLINTERI



Testauspaine 270 bar

Item code	28658001	Revision	-
Title	CYLINDER	Date	11.10.2006
Specification	70/40X1450		

Pos	Item code	Title	Specification	Pc	Nto Weight
1	3110317	PISTON SEAL	PDO 70/58X20	1	0.21
2	3110248	O-RING	31.5X3 90 SHORE	1	0.01
3	3110009	O-RING	64.5X3 90 SHORE	1	0.01
4	3110557	SUPPORTING RING	70/65X1.3 PU	1	0
5	3110010	ROD SEAL	NI 300 40/50X10	1	0.05
6	3110011	WIPER SEAL	PW 40	1	0.03
7	3110697	PISTON GUIDE	E/PWR 70/64X13	1	0.06
8	3110735	GUIDANCE	I/PWR 40/46X10	4	0.03
9	3020145	NUT	M30X2 ZN DIN 980 V	1	0.24
10	28349201	PISTON	D=70 (PDO-IIIV.)	1	0.64
11	28658101	CYLINDER BARREL	70/1450	1	20.08
12	28581202	GUIDANCE	70/40	1	1.38
13	28658204	PISTON ROD	D=40	1	16.51
14	28581105	SLEEVE	ISKURAJOITIN L=42	1	0.52
15	3010175	ALLEN SCREW	M8X10 ZN DIN 914	1	0
SRJ	3110736	SEAL KIT	70/40	1	0.49



28772001 SYLINTERI

VARAOSAT \ RESERVDELAR \ SPARE PARTS \ ERSATZTEIL



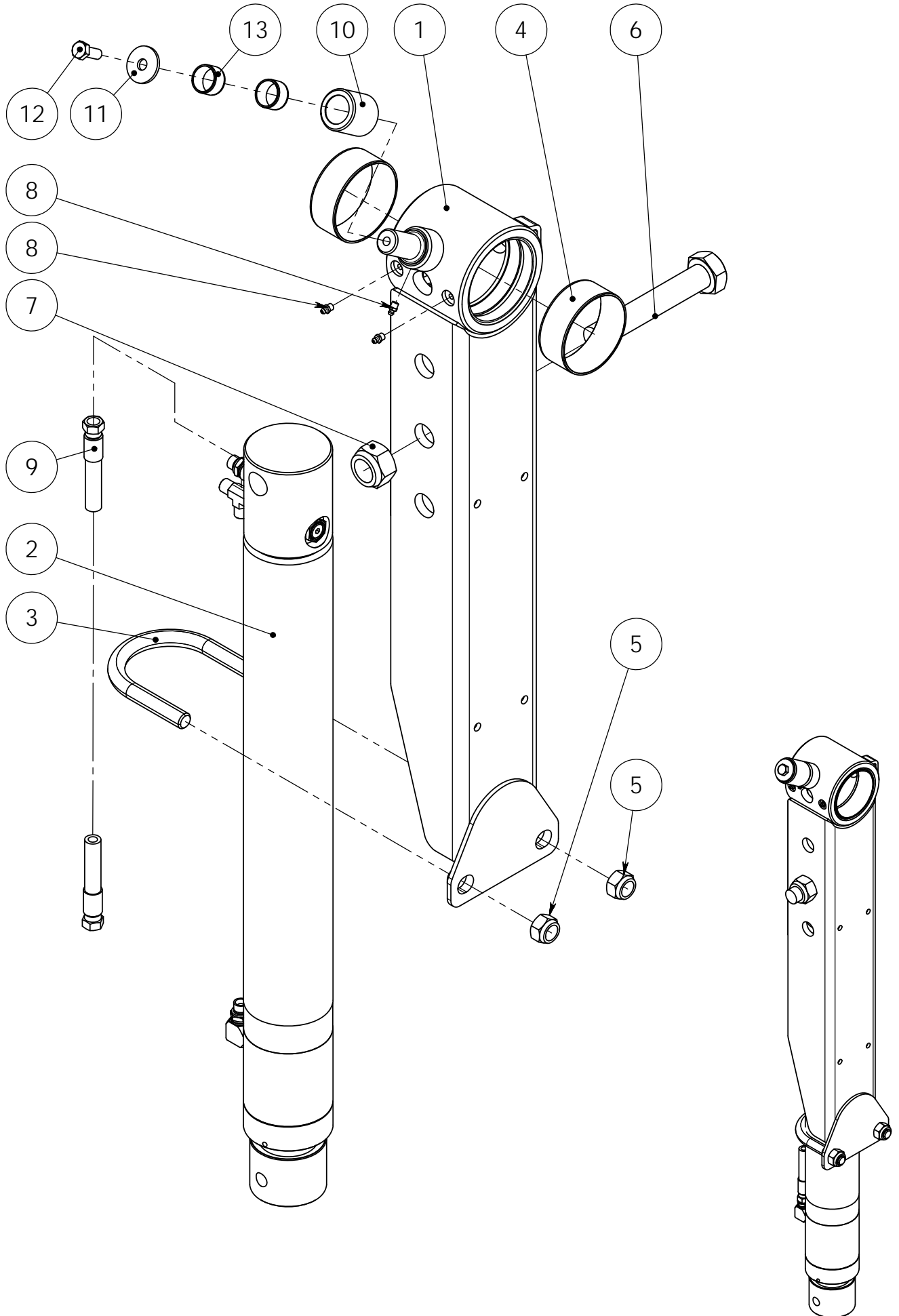
## SPARE PART LIST

Item code	28772001	Revision	-
Title	CYLINDER	Date	06.06.2007
Specification	50/30X2X650		

Pos	Item code	Title	Specification	Pc	Nto Weight
1	3110013	PISTON SEAL	DAS 50/34X18	2	0.18
2	3110003	O-RING	26.2X3 70 SHORE	2	0.01
3	3110288	O-RING	39.2X5.7 90 SHORE	2	0.03
4	3110030	ROD SEAL	T22 30/40X7.3	2	0.02
5	3110313	WIPER SEAL	GA 30/40X7/10	2	0.03
6	3020026	NUT	M24 ZN DIN 985	2	0.11
7	28337201	PISTON	D=50 DBM	2	0.26
8	28772101	CYLINDER BARREL	50/30X2X650	1	4.91
9	28337202	GUIDANCE	50/30	2	0.82
10	28772204	PISTON ROD	50/30 X 2 X 650	2	5.2
1-5	3110324	SEAL KIT	50/30	1	

90020725

# TUKIJALKA

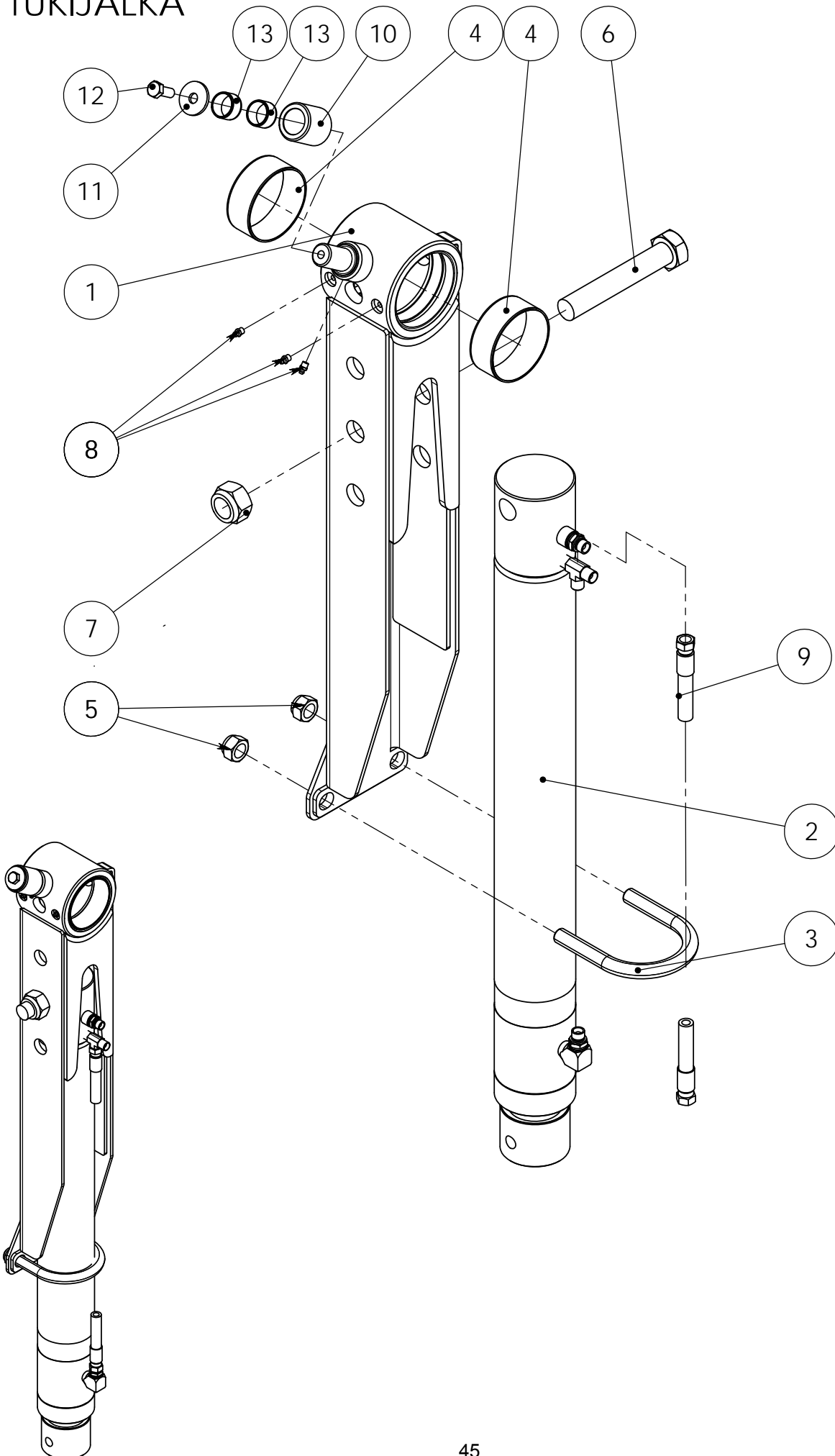


Item code	90020725	Revision	B
Title	STABILIZER	Date	17.01.2007
Specification	RIGHT L=600 KOK		

Pos	Item code	Title	Specification	Pc	Nto Weight
1	90020722	FRAME	OIKEA KONEISTUS	1	26.14
2	28767001	CYLINDER	90/70X600	1	29.87
3	90020683	FASTENER	M20	1	0.92
4	3100288	BUSHING	WB 802 10040 (105/100X40)	2	0.25
5	3020009	NUT	M20 ZN DIN 985	2	0.07
6	3010511	HEW SCREW	M30X180 8.8 ZN DIN 931	1	0
7	3020126	NUT	M30 ZN DIN 985	1	0.24
8	3050003	GREASE NIPPLE	M8X1,25 DIN 71412	3	0
9	3132396	HYDRAULIC HOSE	A50001-06-06/241T-06/A50001-06-06/L=720/TEX	1	0
10	90012841	SLEEVE	50/34-50	1	0.41
11	3030122	WASHER	M12 ZN DIN 440	1	0.04
12	3010048	HEW SCREW	M12X30 8.8 ZN DIN 933	1	0
13	3100124	BUSHING	PM 3020 DX	2	0.03

90020765

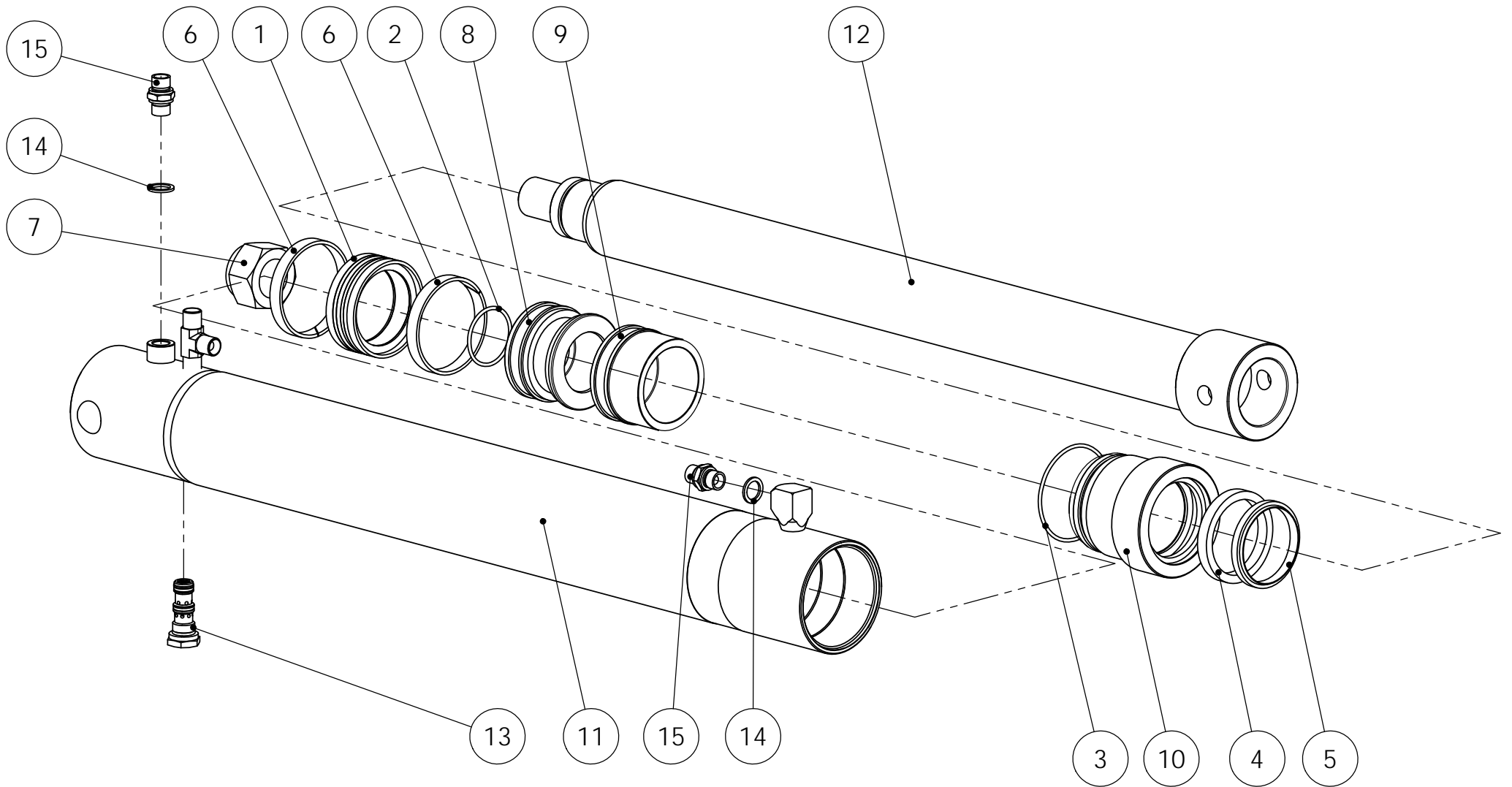
TUKIJALKA



Item code	90020765	Revision	B
Title	STABILIZER	Date	22.12.2006
Specification	LEFT L=600 KOK		

Pos	Item code	Title	Specification	Pc	Nto Weight
1	90020724	FRAME	VASEN KONEISTUS	1	26.14
2	28767001	CYLINDER	90/70X600	1	29.87
3	90020683	FASTENER	M20	1	0.92
4	3100288	BUSHING	WB 802 10040 (105/100X40)	2	0.25
5	3020009	NUT	M20 ZN DIN 985	2	0.07
6	3010511	HEW SCREW	M30X180 8.8 ZN DIN 931	1	0
7	3020126	NUT	M30 ZN DIN 985	1	0.24
8	3050003	GREASE NIPPLE	M8X1,25 DIN 71412	3	0
9	3132396	HYDRAULIC HOSE	A50001-06-06/241T-06/A50001-06-06/L=720/TEX	1	0
10	90012841	SLEEVE	50/34-50	1	0.41
11	3030122	WASHER	M12 ZN DIN 440	1	0.04
12	3010048	HEW SCREW	M12X30 8.8 ZN DIN 933	1	0
13	3100124	BUSHING	PM 3020 DX	2	0.03





28767001 SYLINTERI

VARAOSAT \ RESERVDELAR \ SPARE PARTS \ ERSATZTEIL



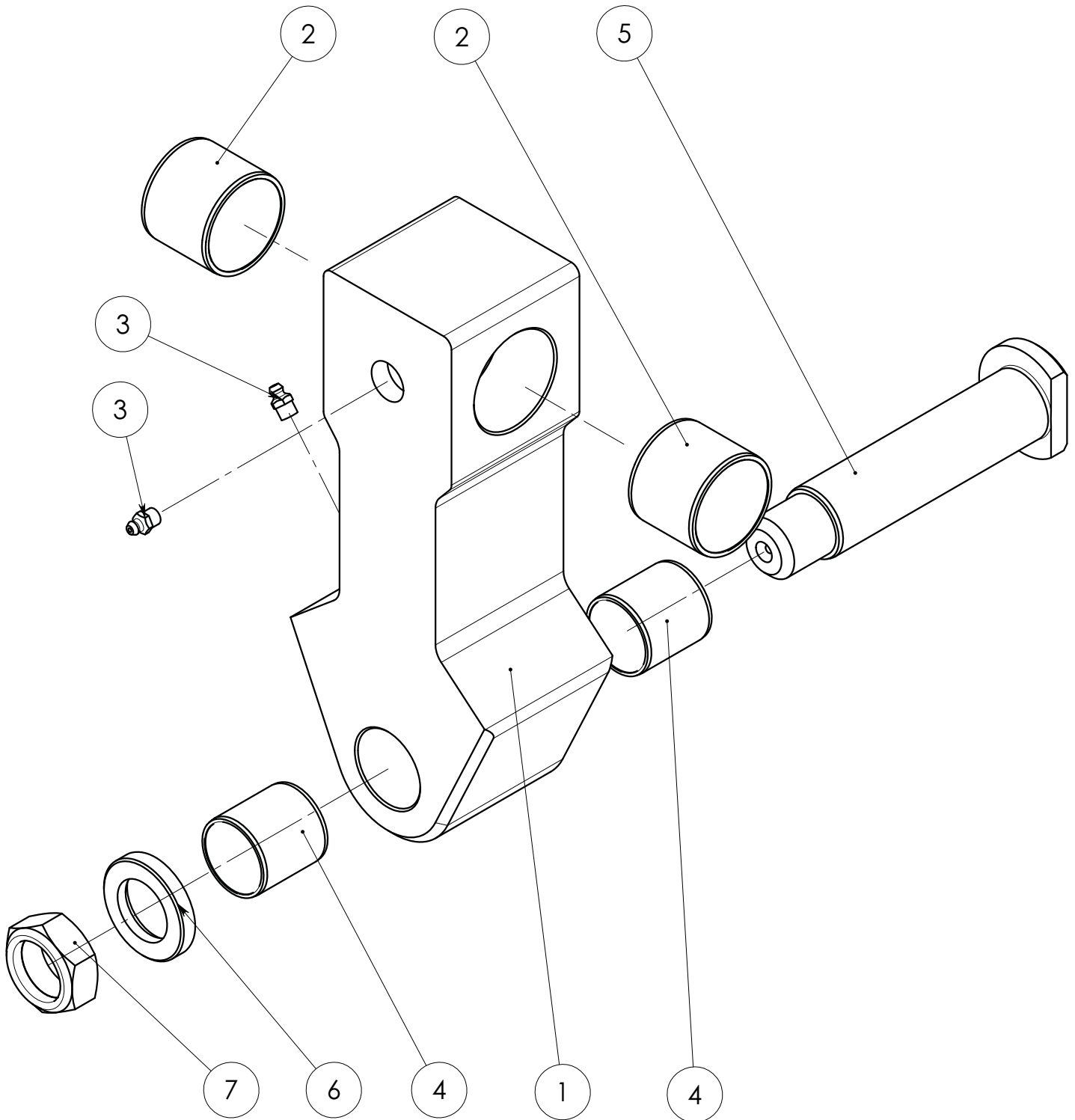
## SPARE PART LIST

Item code	28767001	Revision	-
Title	CYLINDER	Date	19.10.2012
Specification	90/70X600		

Pos	Item code	Title	Specification	Pc	Nto Weight
1	3110025	PISTON SEAL	DAS 90/70X22	1	0.5
2	3110278	O-RING	49.5X3.0 90 SHORE	1	0.01
3	3110017	O-RING	84.5X3 90 SHORE	2	0.02
4	3110184	ROD SEAL	B 70/85X12 POLYPAC BALSELE	1	0.17
5	3110196	WIPER SEAL	GA 70/80X7/10	1	0.07
6	3110397	PISTON GUIDE	E/PWR 90/84X13	2	0.08
7	3020043	NUT	M36X3 ZN DIN 985	1	0.42
8	28554201	PISTON	D=90 DBM	1	1.34
9	28554105	SLEEVE	ISKURAJOITINHOLKKI	1	0.96
10	28358202	GUIDANCE	90/70	1	2.43
11	28767101	CYLINDER BARREL	90/70 X 600	1	21.85
12	28792204	PISTON ROD	90/70 X 600	1	1.67
13	3120843	VALVE		1	0.13
14	3110040	USIT-SEAL	R-06 R 3/8"	2	0
15	3090040	CONNECTOR (STRAIGHT)	04000-06	2	0.06
SRJ	3110430	SEAL KIT	90/70	1	

90012142

RIIPUKE



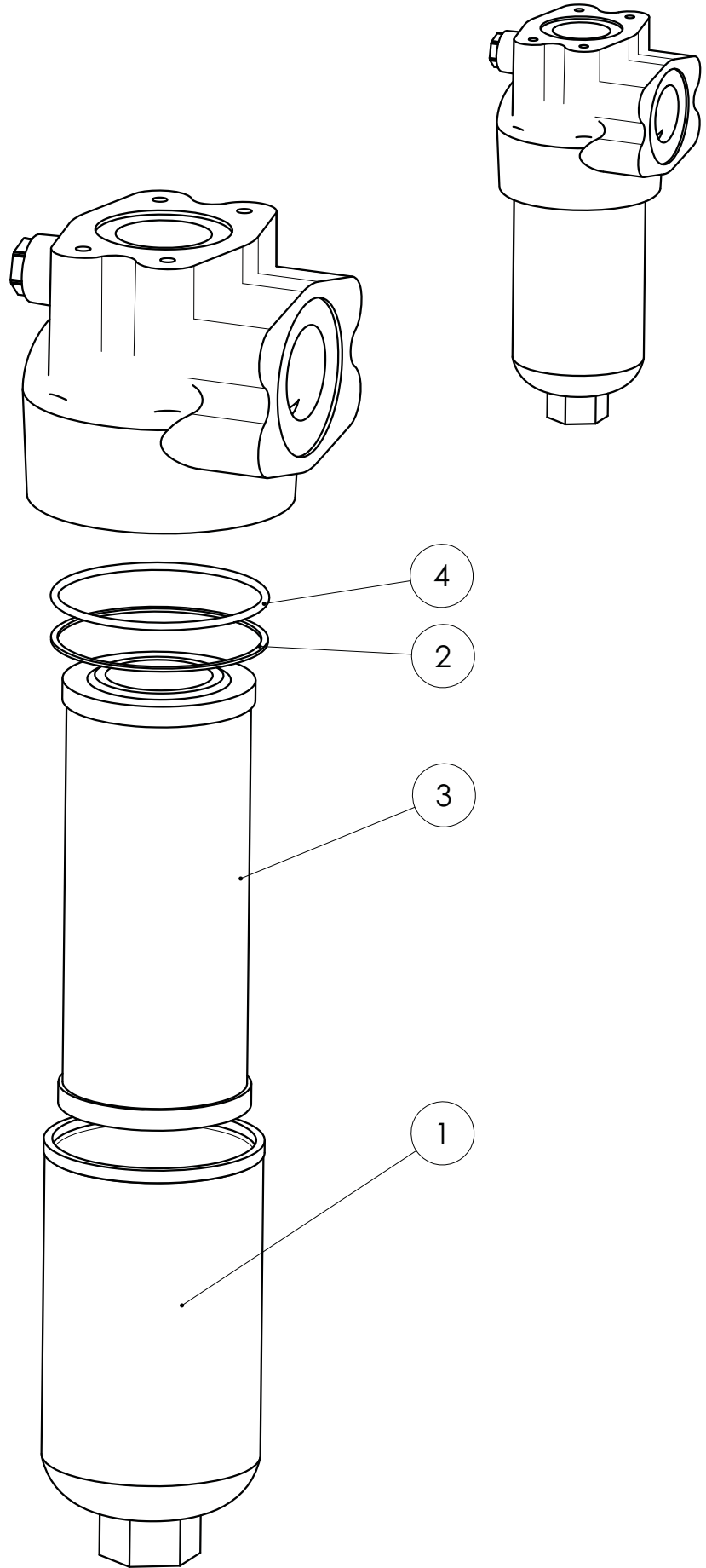
# SPARE PART LIST

Item code	90012142	Revision	-
Title	RIIPUKE	Date	12.04.2005
Specification			

Pos	Item code	Title	Specification	Dimensions	Pc	Amount	Unit	Nto Weight
1	90011322	RIIPUKE LÄNK LINK GELENK		L=289	1			11.79
2	3100215	LAAKERI LAGER BEARING LAGER	WB 802 4540		2			0.12
3	3050003	RASVANIPPA SMÖRJNIPPEL GREASE NIPPLE SCHMIERNIPPEL	M8X1,25 DIN 71412		2			0
4	3100196	LAAKERI LAGER BEARING LAGER	WB 802 3540		2			0.07
5	90013110	AKSELI AXEL AXLE ACHSE	35-172	L=207	1			1.32
6	90013659	ALUSLEVY BRICKA WASHER UNTERLEGSCHEIBE	50/31-8	65x65	1			0.07
7	3020144	MUTTERI MUTTER NUT MUTTER	KM6 M30X1,5 ZN NYLOC		1			

3090884

SUODATIN



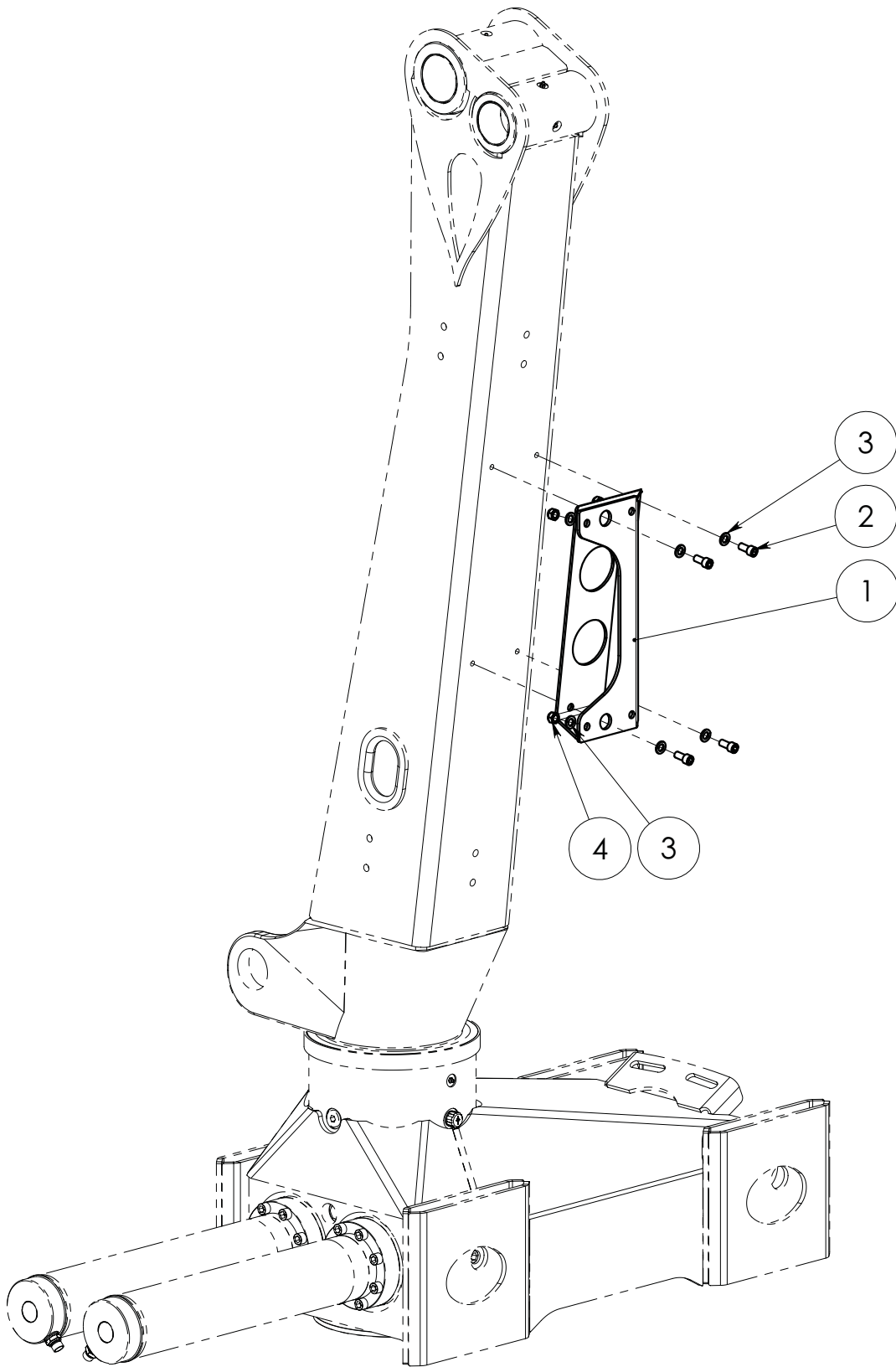


## SPARE PART LIST

Item code	3090884	Revision	-
Title	SUODATIN	Date	21.04.2006
Specification	FF7006.Q20.BS35.GL16		

Pos	Item code	Title	Specification	Dimensions	Pc	Amount	Unit	Nto Weight
1	3090979	SUODATIN FILTER FILTER FILTER	FF7006		1			2.15
2	3110707	TIIVISTE TÄTNING SEAL DICHTUNG	TR 95.1X101.1X1.5 PO-01		1			0
3	3090885	SUODATIN FILTER FILTER FILTER	FC7006.Q020.BK		1			6.32
4	3110706	TIIVISTE TÄTNING SEAL DICHTUNG	O 94.84X3.53 90SH		1			0.02

90022556  
TELINE





## SPARE PART LIST

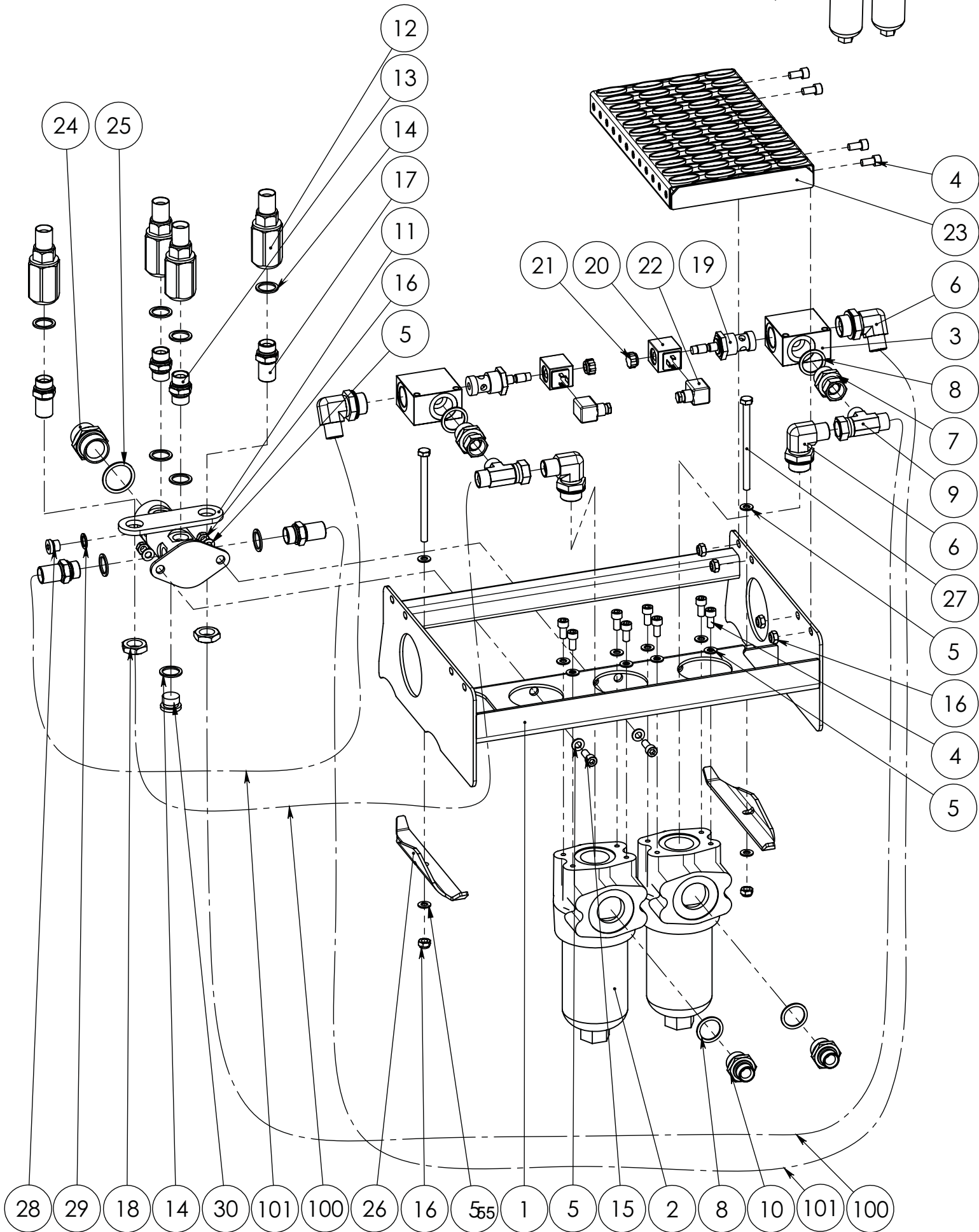
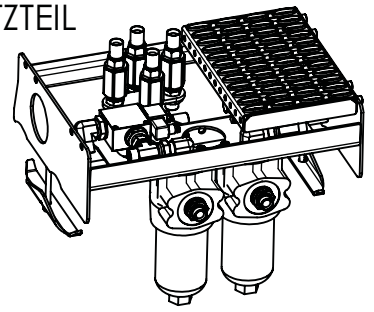
Item code	90022556	Revision	-
Title	TELINE	Date	26.05.2008
Specification	HALLINTALAITERUNKO ADAPTERI ASENNIUS		

Pos	Item code	Title	Specification	Dimensions	Pc	Amount	Unit	Nto Weight
1	90022251	KIINNIKE FÄSTE FASTENER BEFESTIGUNG	HITS		1			6.18
2	3010239	RUUVI SKRUVV SCREW SCHRAUBE	KKR M12 X 25 8.8 ZN DIN 912		4			0
3	3030047	ALUSLEVY BRICKA WASHER UNTERLEGSCHIBE	M12/I13 ZN DIN 126		8			0.01
4	3020005	MUTTERI MUTTER NUT MUTTER	KM M12 ZN DIN 985		4			0



VARAOSAT \ RESERVDLAR \ SPARE PARTS \ ERSATZTEIL

90022688  
TELINE

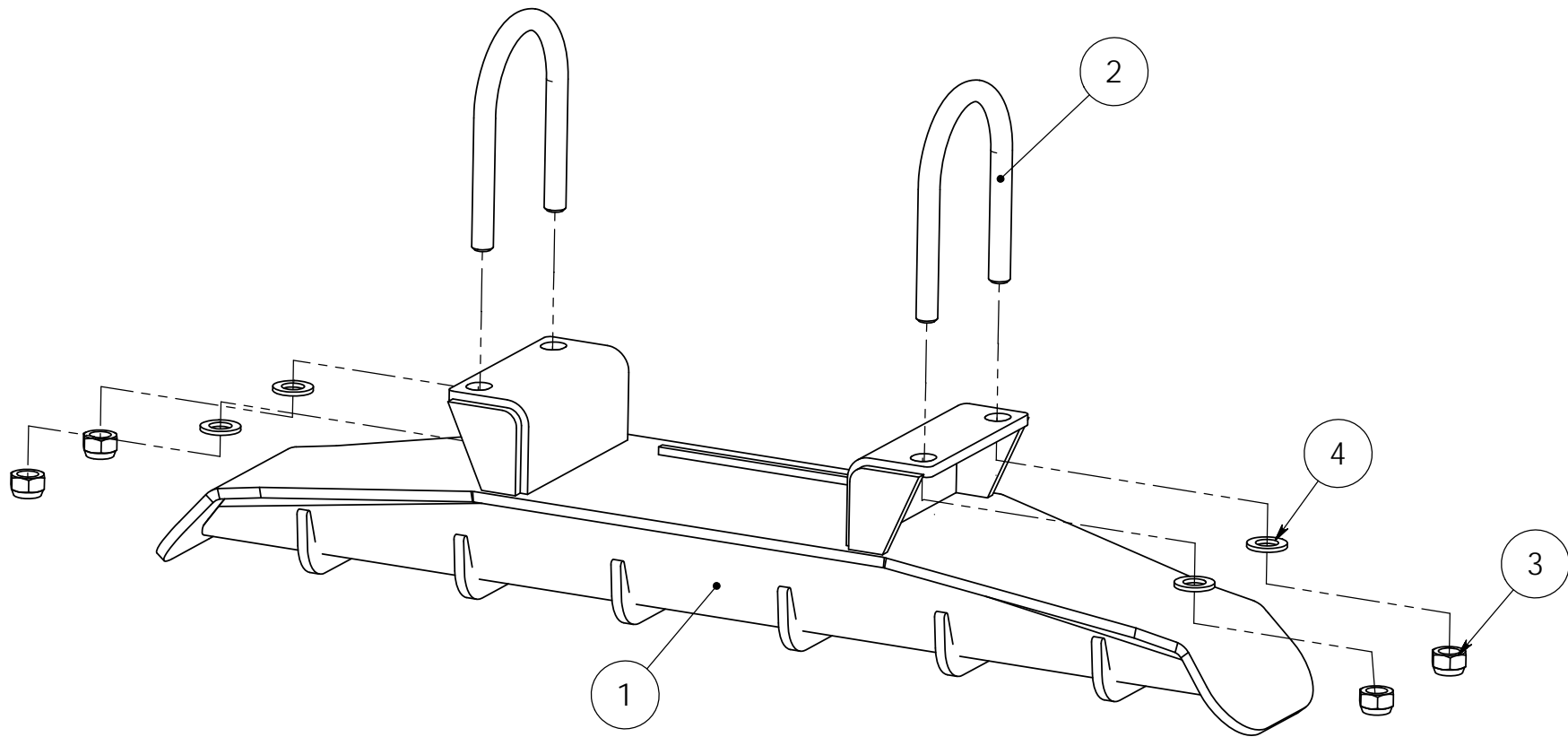




## SPARE PART LIST

Item code	90022688	Revision	-
Title	TELINE	Date	06.08.2008
Specification	SUODATINTELINE VAPAAKIERTOVARUSTUKSELLA		

Pos	Item code	Title	Specification	Dimensions	Pc	Amount	Unit	Nto Weight
1	90022182	TELINE STÄLL RACK GESTELL	HITS		1			11.81
2	3090884	SUODATIN FILTER FILTER FILTER	FF7006.Q20.BS35.GL16		2			18.78
3	3120949	RUNKO RAM FRAME RAHMEN			2			1.79
4	3010192	RUUVI SKRUV SCREW SCHRAUBE	KKR M10 X 20 8.8 ZN DIN 912		12			0
5	3030065	ALUSLEVY BRICKA WASHER UNTERLEGSCHIBE	M10 ZN DIN 125		16			0
6	3090756	LIITIN KOPPLINGSSTYCKE CONNECTOR KONNEKTOR	26-04500-12-16		4			0.25
7	3090438	LIITIN KOPPLINGSSTYCKE CONNECTOR KONNEKTOR	04010-16-12		2			0.01
8	3110173	TIIVISTE TÄTNIING SEAL DICHTUNG	USIT R-16 (R1")		4			0.34
9	3091123	LIITIN KOPPLINGSSTYCKE CONNECTOR KONNEKTOR	04880-12		2			0.21
10	3090364	LIITIN KOPPLINGSSTYCKE CONNECTOR KONNEKTOR	04000-12-16		2			3.06
11	90022177	PUTKI RÖR PIPE ROHR			1			
12	3091121	LIITIN KOPPLINGSSTYCKE CONNECTOR KONNEKTOR	TEMA 7KR 3/4"/3/4"		4			0.14
13	3090185	LIITIN KOPPLINGSSTYCKE CONNECTOR KONNEKTOR	04000-12		2			0.01
14	3110130	TIIVISTE TÄTNIING SEAL DICHTUNG	USIT R-12 (R3/4")		9			0
15	3010685	RUUVI SKRUV SCREW SCHRAUBE	KKR M10X25 8.8 DIN 912 ZN		2			0
16	3020004	MUTTERI MUTTER NUT MUTTER	KM M10 ZN DIN 985		8			0.18
17	3090298	LIITIN KOPPLINGSSTYCKE CONNECTOR KONNEKTOR	04000-12 EP		4			0
18	3020017	MUTTERI MUTTER NUT MUTTER	KM M24 ZN DIN 936		2			0.34
19	3120948	VENTTIILI VENTIL VALVE VENTIL			2			0.46
20	3120499	SOLENOIDI SOLENOID SOLENOID SOLENOID			2			0.03
21	3020182	MUTTERI MUTTER NUT MUTTER	M12		2			0.25
22	3180478	LIITIN KOPPLINGSSTYCKE CONNECTOR KONNEKTOR	192F0461		2			2.25
23	90013146	PORRAS TRAPSTEG STEP STUFE	HITS		1			0.37
24	3090315	LIITIN KOPPLINGSSTYCKE CONNECTOR KONNEKTOR	04000-20		1			0.01
25	3110849	TIIVISTE TÄTNIING SEAL DICHTUNG	USIT R-1 1/4"		1			0.42
26	90021522	LAITA PLATA FLAT BAR FLACH		300x55	2			0
27	3010504	RUUVI SKRUV SCREW SCHRAUBE	KR M10 X 150 8.8 ZN DIN 931		2			0.03
28	3090210	TULPPA PLUGG PLUGG DECKEL	HF-3/8"		1			0
29	3110040	TIIVISTE TÄTNIING SEAL DICHTUNG	USIT R-06 (R 3/8")		1			0.08
30	3090209	TULPPA PLUGG PLUGG DECKEL	HF-3/4"		1			
100	3132643	LETKU SLANG HOSE SCHLAUCH	5651-12/HI33-12/5601-12 L=750		2			
101	3132644	LETKU SLANG HOSE SCHLAUCH	5751-12/HI78-12/5701-12 L=750		2			



90025930



## SPARE PART LIST

Item code	90025930	Revision	-
Title	STOPPER	Date	05.12.2012
Specification			

Pos	Item code	Title	Specification	Pc	Nto Weight
1	90025931	STOPPER		1	24.18
2	90025933	FASTENER	M16	2	0.61
3	3020010	NUT	M16 ZN DIN 985	4	0.03
4	3030006	WASHER	M16/17 ZN DIN 125	4	0.01